

KEEPING YOUR WORK LIFE  
BALANCE CAN BE EASY

**THANKS TO DYNACON ECLIPSE.**



**Dynacon Eclipse automatically controls and adapts the flow to the set value to insure constant flow even when certain circuits are closed.**

This makes Dynacon Eclipse heating circuit manifolds a time and cost saving solution specially for system commissioning.



**DESIGN PLUS**  
powered by: 



*The Dynacon Eclipse – Radiant heating manifold available in systems with flows up to 300 l/h per port*

## Dynacon Eclipse:

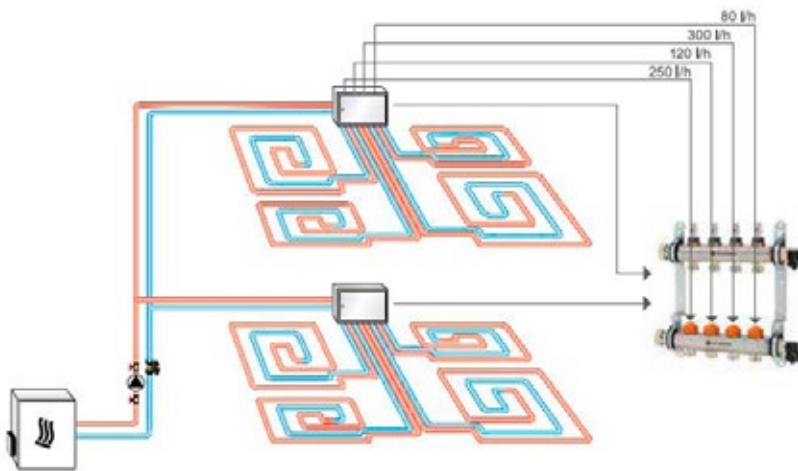
The perfect solution for excellent climate performance and living comfort.

Automatic Flow Control technology guarantees the correct flow at any loop. This makes Dynacon Eclipse a time and cost-saving solution with ideal distribution of temperature.

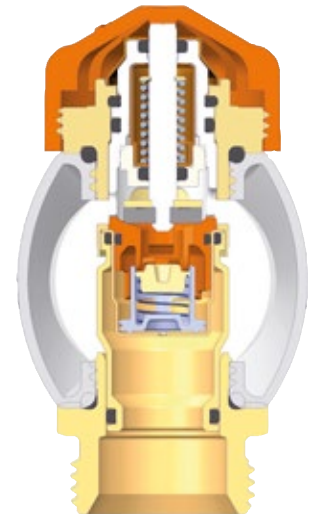
Dynacon Eclipse is the answer for well-balanced heating system with no energy losses thanks to rational heat distribution.



### Application:



**Eclipse thermostatic insert with automatic flow control**



### Dynacon Eclipse benefits:

- Well-balanced heating system can save up to 25% energy
- Correct flow at any loop delivers maximum comfort
- No overheated floors = no swollen feet
- Quick and easy commissioning
- Available in radiant systems with flows up to 300 l/h per port

### Technical Data

	<b>Dynacon Eclipse</b>
<b>Applications</b>	Floor heating systems
<b>Differential pressure</b>	Max. differential pressure: 60 kPa (<30 dB(A)) Min. differential pressure: 30 – 150 l/h = 17kPa 150 – 300 l/h = 25kPa
<b>Temperature</b>	Max. working temperature: 70°C Min. working temperature: -5°C
<b>Pressure class</b>	PN 6