

TA-Slider 160 T-2T

24 VAC/VDC



0°C - +50°C 32°F - +122°F (5-95%RH, non-condensing)

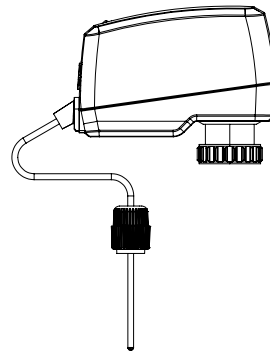


0°C - +120°C 32°F - +248°F

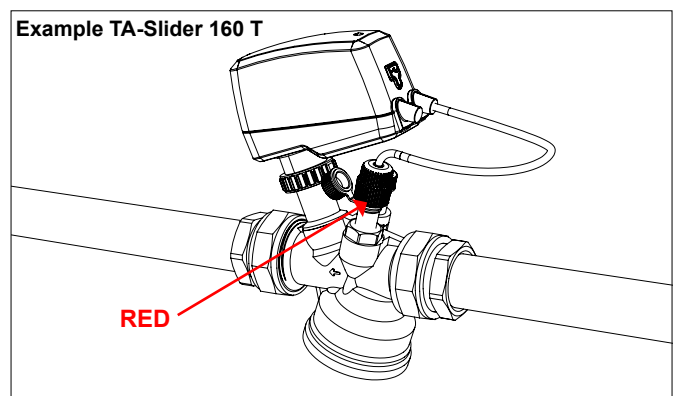
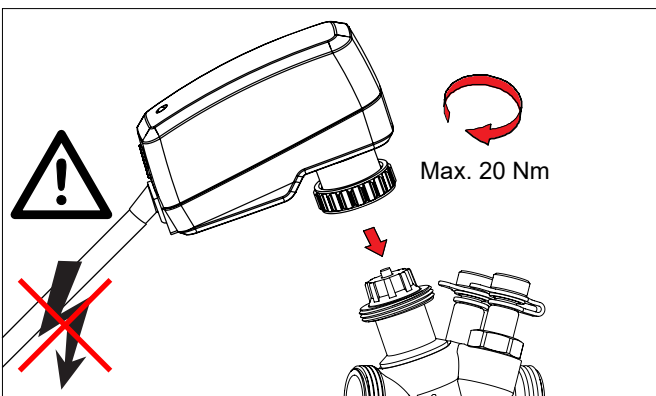
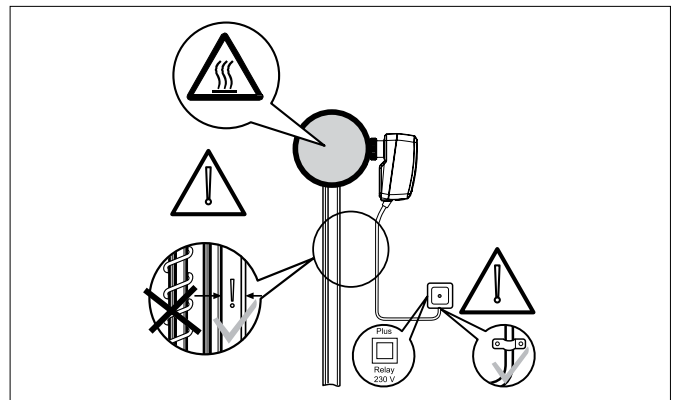
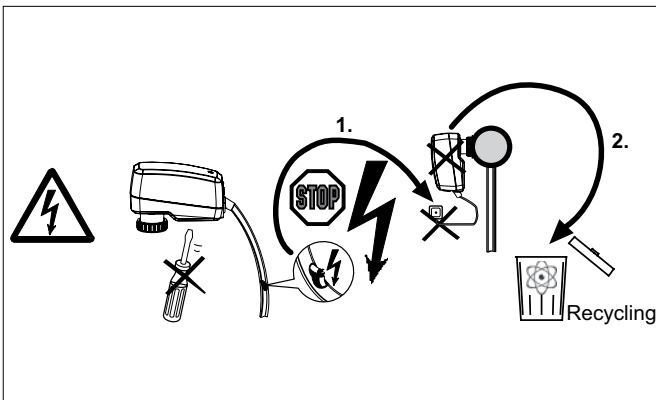
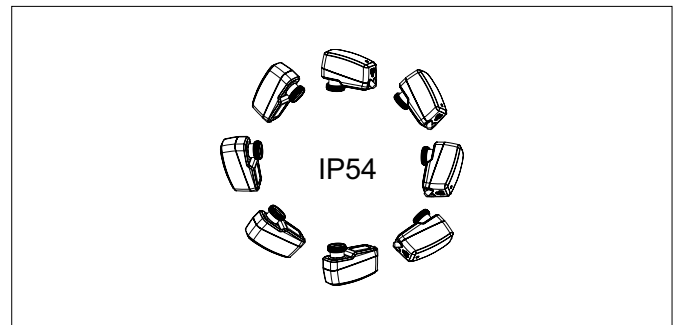
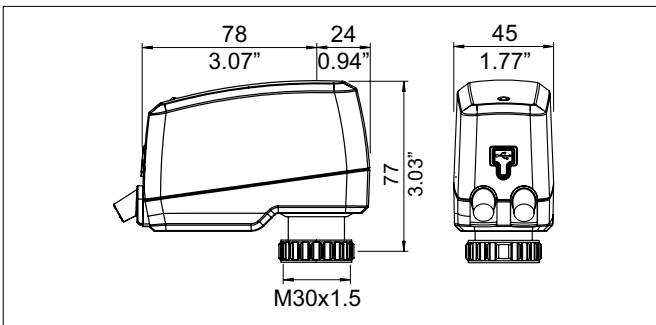
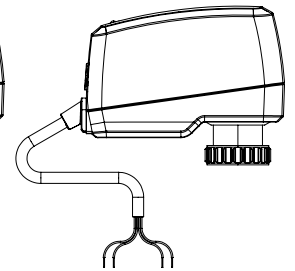


-20°C - +70°C -4°F - +158°F (5-95%RH, non-condensing)

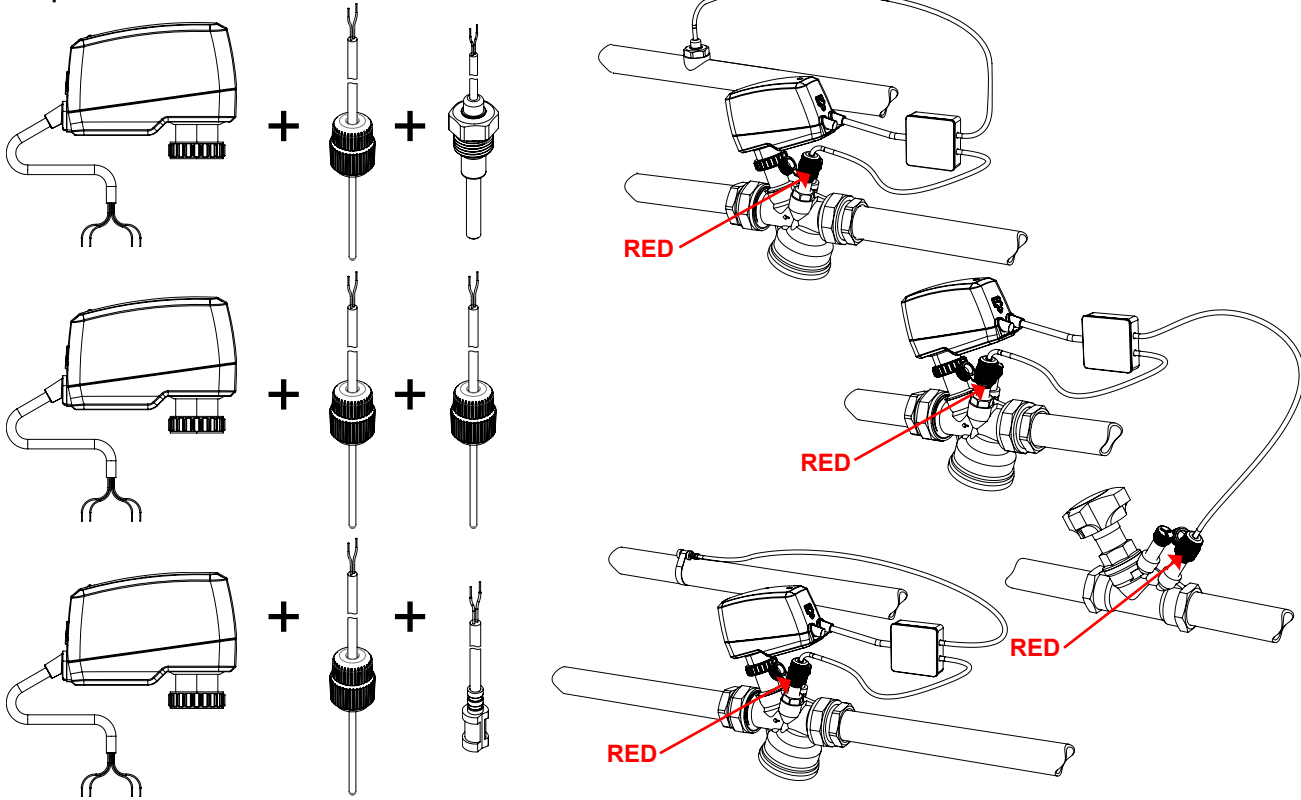
TA-Slider 160 T



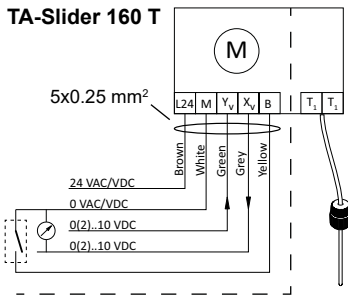
TA-Slider 160 2T



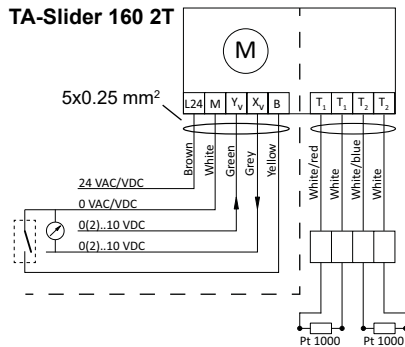
Examples TA-Slider 160 2T




TA-Slider 160 T



TA-Slider 160 2T



 24 VAC/VDC operating only with safety transformer according EN 61558-2-6

Terminal	Description
L24	Power supply 24 VAC/VDC
M	Neutral for power supply 24 VAC/VDC and signals
Y _v	Input signal for proportional control 0(2)..10 VDC, 47 kΩ
X _v	Output signal 0(2)..10 VDC, max. 8 mA or min. load resistance 1.25 kΩ
B	Connection for potential free contact (e.g. open window detection), max. 100 Ω, max. 10 m cable or shielded
T1	Connection to first PT1000 temperature sensor, max. 10 m total cable length between actuator and sensor head.
T2	Connection to second PT1000 temperature sensor, max. 10 m total cable length between actuator and sensor head.

Quick start

LED

Color	Symbol	State 1	State 2	State 3	State 4
BLUE/RED		---	---	---	---
		---	---	---	---
		---	---	---	---
		---	---	---	---
VIOLET		---	---	---	---
		---	---	---	---
		---	---	---	---
		---	---	---	---

We reserve the right to introduce technical alterations without prior notice.