

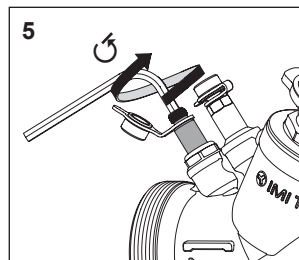
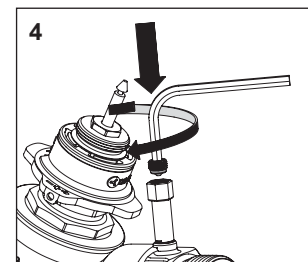
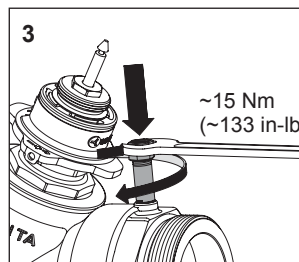
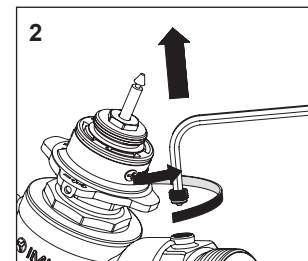
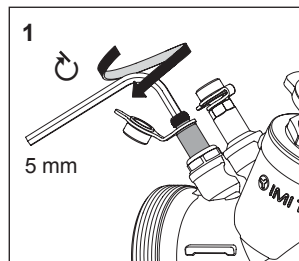
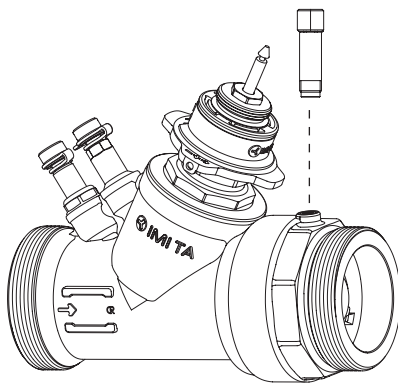
311 256-01
03.2017



TA-Modulator

DN 40-50

Venting extension



*We reserve the right to
introduce technical alterations
without prior notice.*