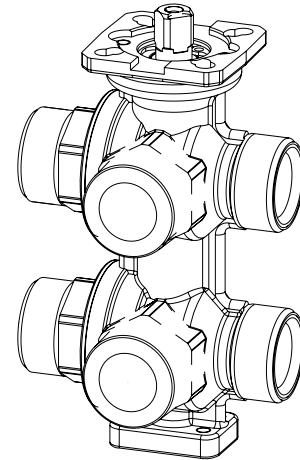
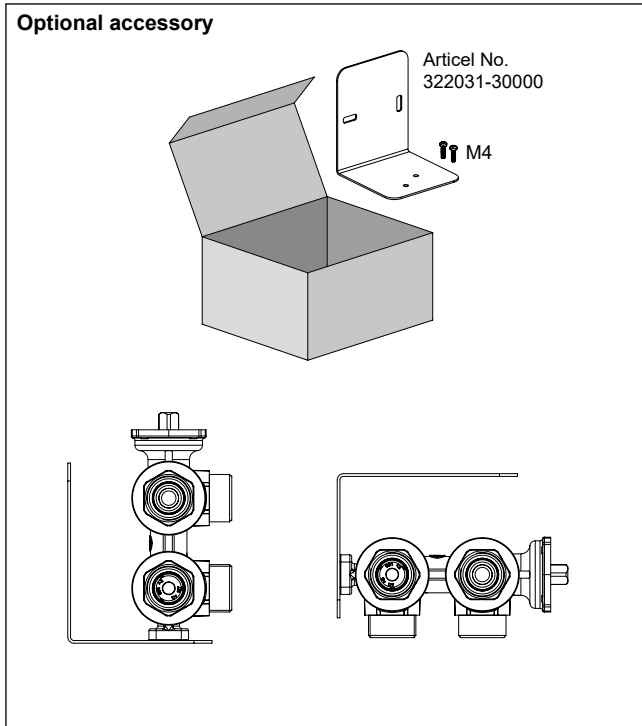


12060000647
05.2020



TA-6-way valve – NPT



*We reserve the right to introduce technical alterations
without prior notice.*

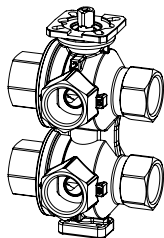
Sizes: 1/2", 3/4"

230 psi (PN 16)

Max. ΔpV : 30 psi (200 kPa)

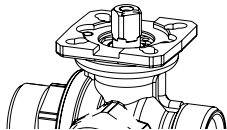
Temperature: +14°F – +248°F

Cvs: 1/2" 1.45, 3/4" 3.24, 33/4" 4.62

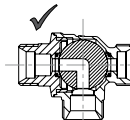
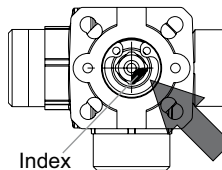
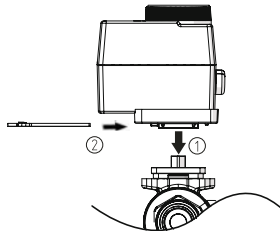


1/2 NPT
3/4 NPT

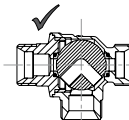
F03/F04
(EN ISO 5211)



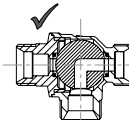
(TA-M106)



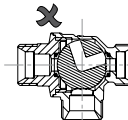
Pos. 0°



Pos. 45°



Pos. 90°



Pos. >90°

