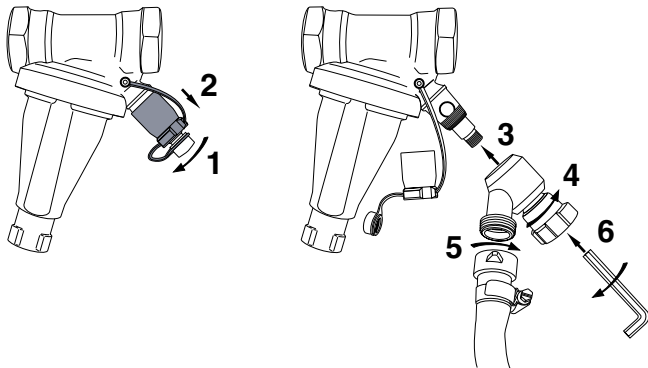


307 963-05  
09.2014



*We reserve the right to introduce technical alterations  
without previous notice.*

**IMI**  
Hydronic Engineering

[www.imi-hydronic.com](http://www.imi-hydronic.com)