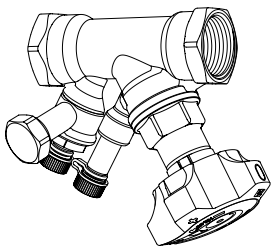
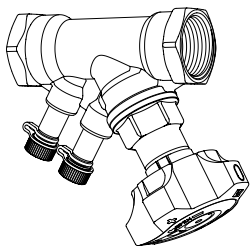


307 781-28 AU/NZ  
11.2024



**IMI TA**

**STAD**

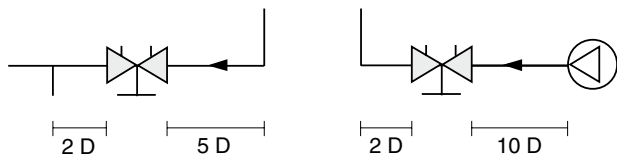


Min. and max. temperature:  $-20^{\circ}\text{C}$  –  $+120^{\circ}\text{C}$

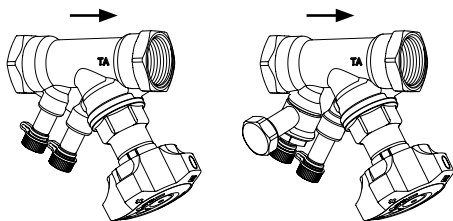
Pressure class: PN 25

Installation in accordance with the Plumbing Code of Australia.

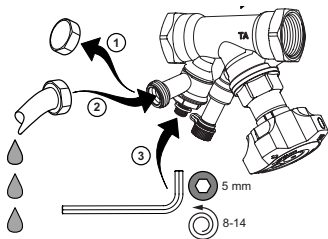
### Recommended installation



### Recommended direction of flow for best accuracy



### Drain (valves with draining)



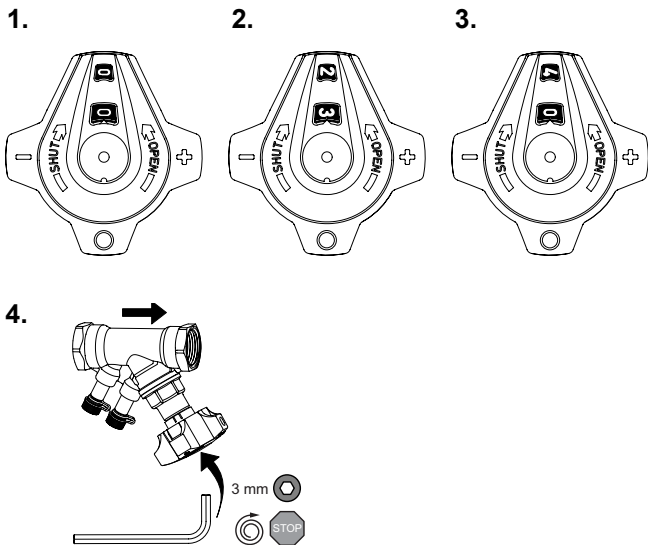


Fig. 1. Valve closed  
 Fig. 2. Opened 2.3 turns  
 Fig. 3. Fully open valve  
 Fig. 4. Locking of setting

### Presetting

The presetting of a valve for a certain pressure drop (e.g. corresponding to the presetting position 2.3) should be carried out as follows:

1. Close the valve fully (Fig. 1).
2. Open the valve 2.3 turns (Fig. 2).
3. Using a 3 mm Allen key, turn the inner spindle clockwise to its end position (Fig. 4).
4. The valve is now preset.

A pressure drop diagram is available for each valve size, showing the pressure drop curves for various settings and flows.

*We reserve the right to introduce technical alterations without prior notice.*



[climatecontrol.imiplc.com](http://climatecontrol.imiplc.com)