

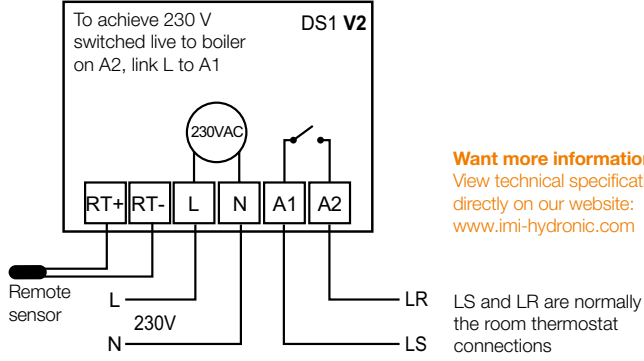


# Wiring diagram – DS1 to boiler voltfree



**IMI HEIMEIER**

heatmiser technology



**Want more information?**  
View technical specifications directly on our website:  
[www.imi-hydronic.com](http://www.imi-hydronic.com)

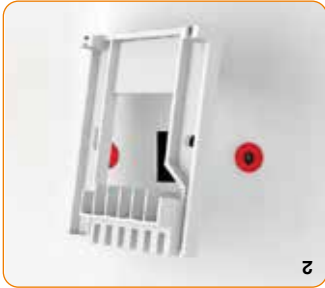


# DS1 V2

We reserve the right to introduce technical alterations without prior notice.

EN Rev 1.0 03.2024

**IMI** Hydronic  
Engineering



- IN ORDER TO AVOID ANY RISK OF ELECTRIC SHOCK, TURN OFF THE POWER TO THE HEATING SYSTEM BEFORE COMMENCING INSTALLATION.**
1. Separate the front part of the thermostat by unscrewing securing screws on the bottom face of the thermostat.
  2. Mark 2 hole positions on the wall using the backplate as a position in template. Drill at the marked positions and insert a wall plug in to each hole.
  3. Terminate the thermostat as per wiring diagram.
  4. Screw the back plate securely back onto the wall.
  5. Reconnect the thermostat front plate and insert the securing screws.

## Installation

- 230 VAC, 3A switching
  - LED Heat and Power indication
  - Adjustable Switching Differential
- This thermostat incorporates the following functions:

The Heatmiser DS1 dial type thermostat is suitable for conventional or combi-boiler systems.

## Introduction



## Setting the temperature

To change the set point, rotate the dial until it points to the desired temperature.



## LED indication



Power indicator



Heat on



## Remote sensor

The IMI Heimeier DS1 V2 provides the option to work with a remote temperature sensor.

When a compatible remote sensor is connected, the thermostat will automatically switch from using its internal sensor to use the remote sensor instead. This function is ideal for controlling bathrooms or when the thermostat needs to be installed in a different area of the building to that being measured and controlled.



IMI Heimeier thimble sensor (not included)



## Switching differential

The IMI Heimeier DS1 V2 offers 1, 2 and 3°C switching differential.

With a 1°C switching differential the heating will switch on 1°C below the set temperature and will turn off when the set temperature is reached.

A 2° differential will turn the heating on 2°C below the set temperature.

3°C will switch the heating on 3°C below the set temperature.

To set the differential, you should set the DIP switches according to the table below.

The DIP switch can be accessed from the back of the thermostat (shown opposite).

1	1 °C switching	Switch 1 and 2 OFF
2	2 °C switching	Switch 1 ON and switch 2 OFF
3	3 °C switching	Switch 1 OFF and switch 2 ON

