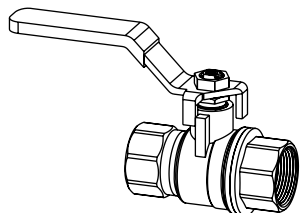
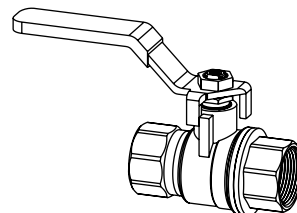


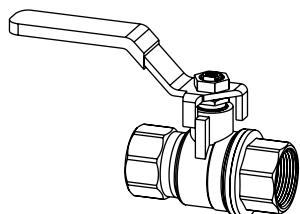
TA-BAV



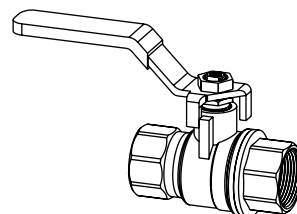
TA-BAV

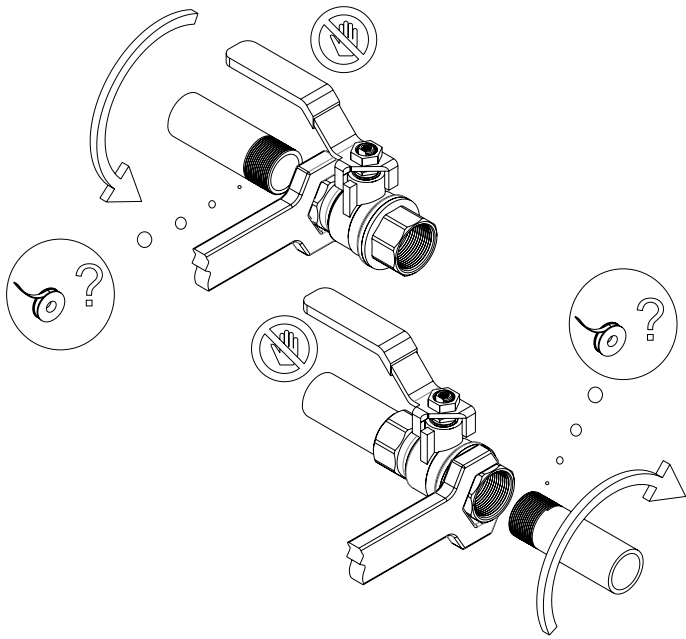


TA-BAV



TA-BAV

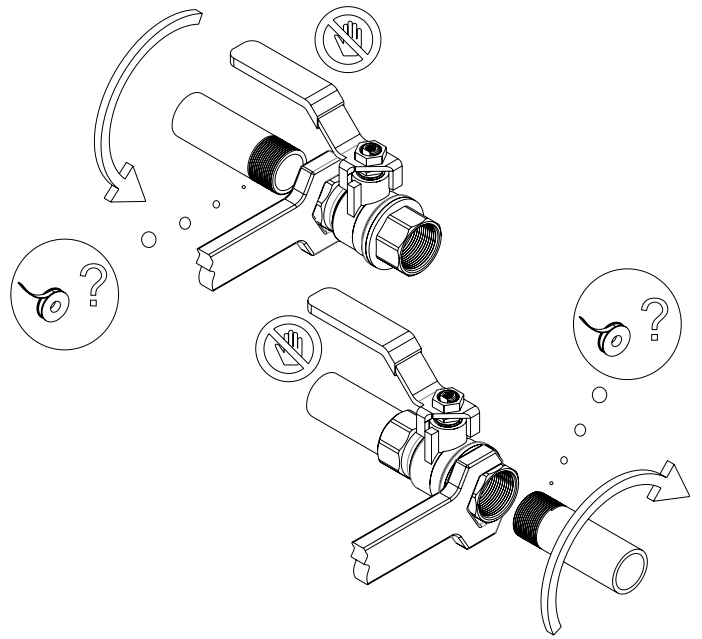




We reserve the right to introduce technical alterations without previous notice.

IMI
Hydronic Engineering

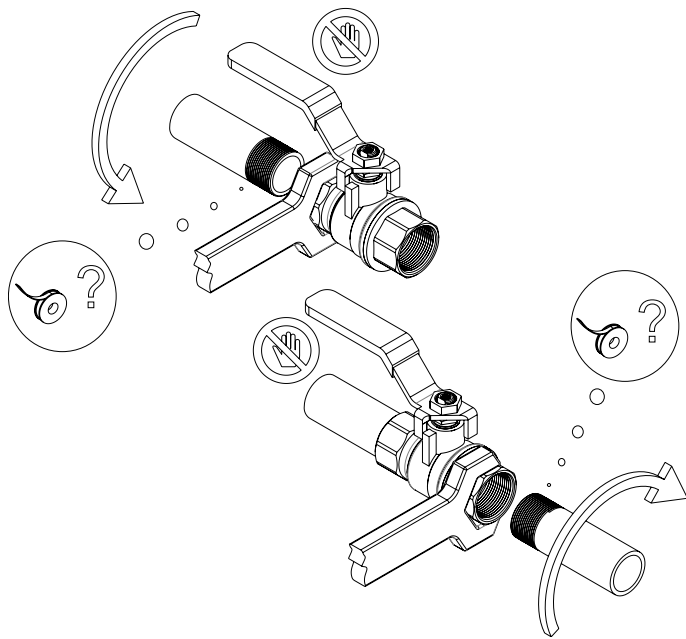
www.imi-hydronic.com



We reserve the right to introduce technical alterations without previous notice.

IMI
Hydronic Engineering

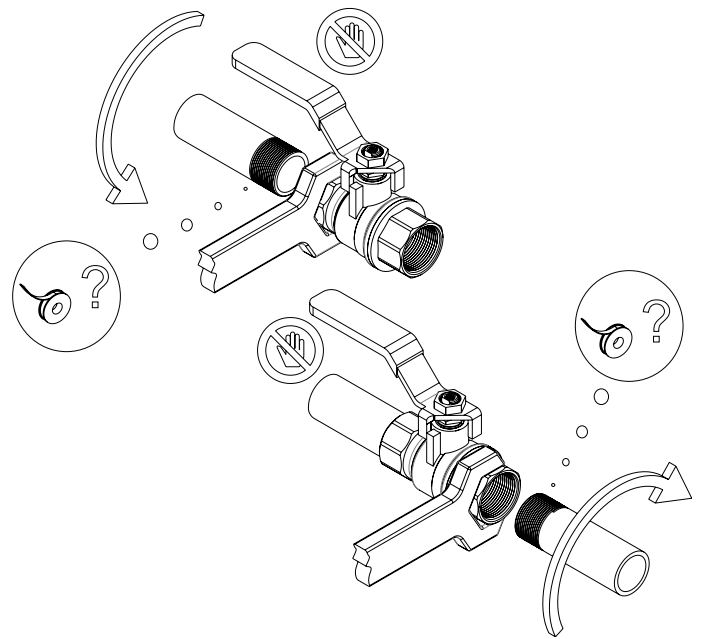
www.imi-hydronic.com



We reserve the right to introduce technical alterations without previous notice.

IMI
Hydronic Engineering

www.imi-hydronic.com



We reserve the right to introduce technical alterations without previous notice.

IMI
Hydronic Engineering

www.imi-hydronic.com