

TA-MC15, TA-MC15-C



Actuators

High performance proportional actuator –
34 lbf (150 N) / 45 lbf (200 N)

TA-MC15, TA-MC15-C

High performance proportional actuators with automatic stroke adaptation which provide accurate modulating or 3-point control when used together with 2-way and 3-way control valves from IMI Hydronic Engineering.

Key features

> Easy commissioning

Automatic measurement and adaptation to the valve lift as well as load-dependent end position switch-off which helps to reduce commissioning time and protect the valve and actuator from overloading.

> Easy troubleshooting

Protected hand drive for a safe manual operation which enables easy troubleshooting.

> Ease of service

The actuator housing cover is easy to remove (without screws). Parameters can be easily changed on site.



Technical description

Functions:

Modulating or 3-point control.

Supply voltage:

24 VAC/VDC $\pm 10\%$
Frequency 50-60 Hz $\pm 5\%$

Power consumption:

2.5 VA

Input signal:

0(2)-10 VDC, $R_i \sim 20 \text{ k}\Omega$.
Signal direction and starting point adjustable by micro switches.
3-point control.

Control speed:

11 in/min

Adjusting force:

TA-MC15: 33.7 lbf
TA-MC15-C: 45.0 lbf

Operation mode:

S1 100%ED

End position switch-off:

Load-dependent

Temperature:

Max. ambient temperature: 122°F
Min. ambient temperature: 32°F

Ingress protection:

IP40

Protection class:

(according to EN 60730)
24 V: III

Stroke:

TA-MC15: max. 0.35 in
TA-MC15-C: max. 0.236 in
TA-MC15:
Automatic detection of the valve lift (stroke detection).

Cable:

4.9 ft, with wire end sleeve.
24 V: 20 AWG (0.5 mm²)

Connection to valve:

Retainer nut M30x1,5 of brass.

Color:

Black body and red cover.

Marking:

IMI TA, CE, Article No, product name and technical specification.

Weight:

0.40 lb

Function

Manual operation

Switch off the power supply and turn with 4 mm allen key.

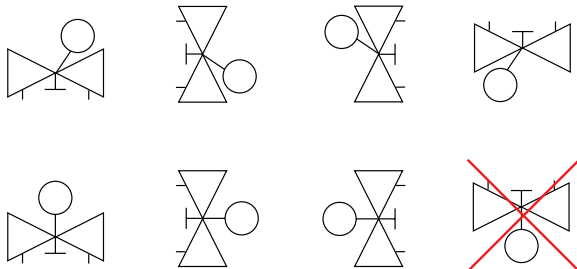
Position indication

Orange pin

Valve blocking protection

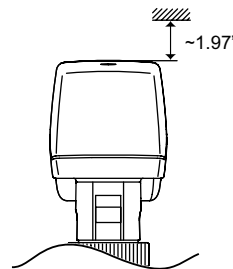
Can be switched on/off (24 V only)

Installation



Note!

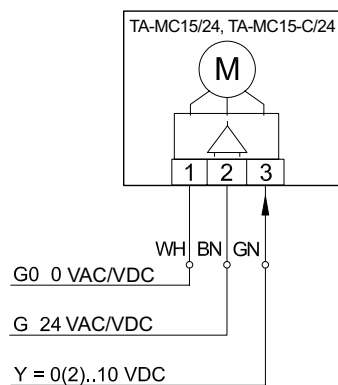
Space above actuator 1.97 in.



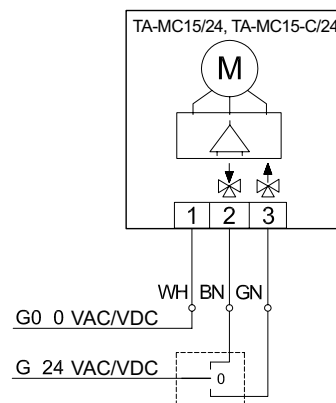
Connection diagram

24 VAC/VDC

Modulating - 0(2)-10V

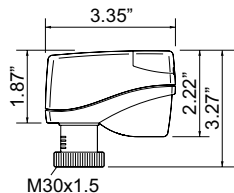


3-point



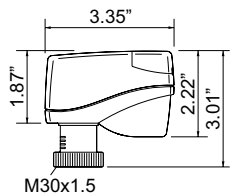
For 24V in 3-point control, the actuating direction can be changed by exchanging the **green** and **brown** wires.

Articles



TA-MC15

Supply voltage	Input signal	Adjusting force [lbf]	Stroke max. [in]	Article No
24 VAC/VDC	3-point, 0(2)-10 V	33.7	0.35	61-015-001



TA-MC15-C

Supply voltage	Input signal	Adjusting force [lbf]	Stroke max. [in]	Article No
24 VAC/VDC	3-point, 0(2)-10 V	45.0	0.236	61-015-011

The products, texts, photographs, graphics and diagrams in this document may be subject to alteration by IMI Hydronic Engineering without prior notice or reasons being given. For the most up to date information about our products and specifications, please visit www.imi-hydronic.com.