

TA 500 Globo



Ball valves

Potable water ball valve with stainless steel ball

TA 500 Globo

The TA 500 Globo with stainless steel ball is used in potable water applications as a multifunctional shut-off valve. The body is made of corrosion-resistant gunmetal. The ball valve has a robust handle for easy operation.



Key features

- > **Body made of corrosion-resistant gunmetal, ball in stainless steel**
- > **Operating handle outside the pipe insulation**
- > **Tubular body, ideal for continuous pipe insulation**
- > **DN 15 - 32 suitable for M106 actuators**
- > **Robust handle for easy operation**

Technical description

Application:

Potable water systems

Functions:

Shut-off
Removable operating handle made of metal. As the handle stop is hidden, there is no risk of injury.

Dimensions:

DN 15 - 50

Pressure class:

PN 16

Temperature:

Permissible operating temperature TB:
-10 °C -120 °C.

Material:

Body made of corrosion-resistant gunmetal.
Ball in stainless steel and with smooth straight bore.
Maintenance-free spindle sealing by two EPDM O-rings.
Ball sealing from pure PTFE.
Handle made of metal.

Insulation:

Heat insulation consisting of two interlocked half shells, see Accessories.

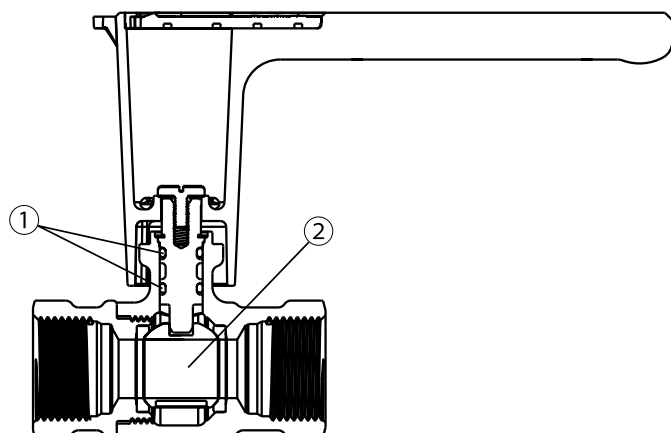
Actuators:

DN 15 - 32 suitable for M106 actuators.
Art. No. 0600-00.700.

Approvals:

DVGW W 570-1, DVGW W 270,
DIN EN 13828, DIN 50930-6 and KTW.
Classified in accordance with DIN 4109 in Valve Group I (tested in accordance with EN ISO 3822 Part 1 and Part 3).

Construction



1. Stem sealing provided by two O-rings
2. Solid stainless steel ball



Application

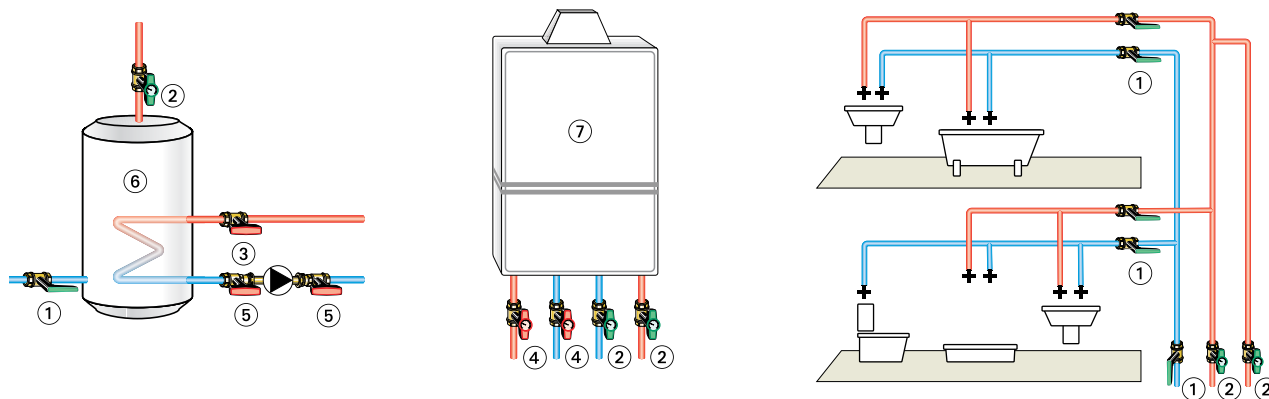
The TA 500 Globo is used in potable water applications as a multifunctional shut-off valve. The ball valve has a robust handle for easy operation.

The potable water ball valve provides insulation against heat loss as required by the respective energy saving ordinance. This requirement can be easily met with the use of heat insulation shells or with straight pipe insulation in view of the tubular housing. The operating handle is located outside the heat insulation.

The TA 500 Globo is compliant with the following:

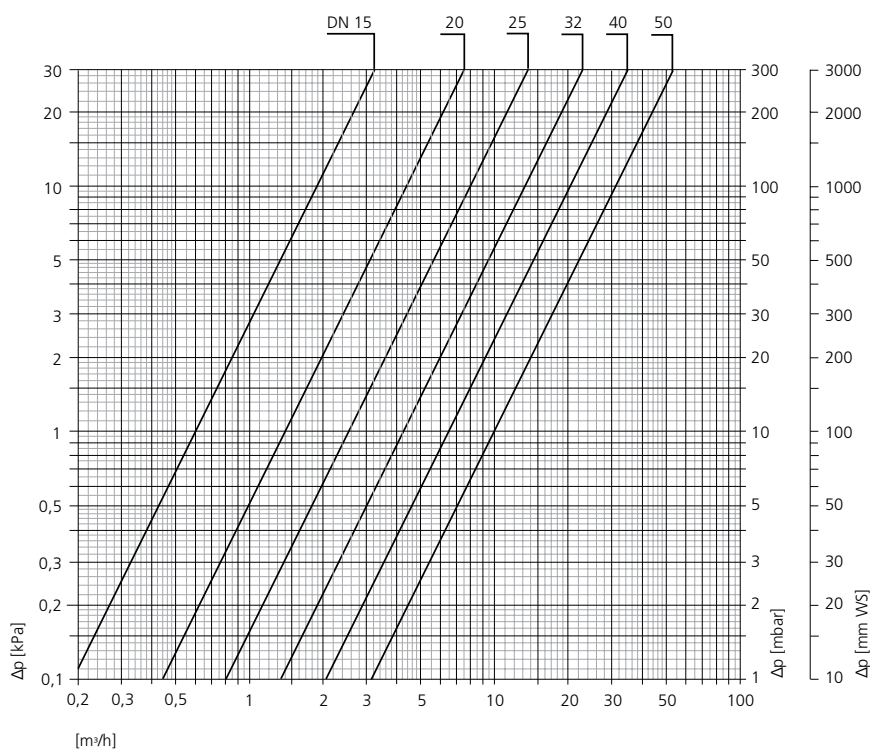
- DVGW W 570-1 (Potable water installation, e.g. manually operated ball valves, – requirements and tests).
- DVGW W 270 (Testing and evaluation of the propagation of microorganisms on materials in potable water applications).
- DIN EN 13828 (Manually operated ball valves for potable water installations in buildings).
- DIN 50930-6 (Corrosion of metallic materials under corrosion load by water inside tubes, tanks and apparatus – influence of the composition of potable water)
- KTW (Recommendation for plastics and other non-metallic materials)
- Excellent noise characteristics, classified in accordance with DIN 4109 in Valve Group I (tested in accordance with EN ISO 3822 Part 1 and Part 3).

Sample application

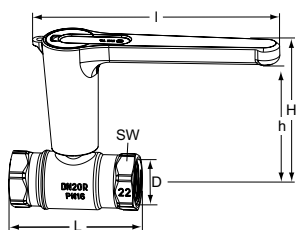


1. TA 500 Globo
2. Globo D with thermometer
3. Globo H
4. Globo H with thermometer
5. Globo P
6. Potable water heater
7. Circulating water heater

Diagram



Articles



With female thread

| DN | D | L | I | H | h | Kvs | EAN | Article No |
|----|---------|-----|-----|-------|-------|-------|---------------|-------------|
| 15 | Rp1/2 | 65 | 149 | 89 | 76,0 | 6,0 | 5902276898488 | 32701010408 |
| 20 | Rp3/4 | 75 | 149 | 91,1 | 78,1 | 14,0 | 5902276898495 | 32701010508 |
| 25 | Rp1 | 90 | 149 | 93,6 | 80,6 | 25,0 | 5902276898501 | 32701010608 |
| 32 | Rp1 1/4 | 95 | 149 | 97,1 | 84,1 | 42,0 | 5902276898518 | 32701010708 |
| 40 | Rp1 1/2 | 100 | 203 | 124,5 | 111,5 | 65,0 | 5902276898525 | 32701010808 |
| 50 | Rp2 | 118 | 203 | 129,5 | 116,5 | 100,0 | 5902276898532 | 32701010908 |

SW: DN 15 = 27 mm, DN 20 = 32 mm, DN 25 = 39 mm, DN 32 = 50 mm, DN 40 = 55 mm, DN 50 = 70 mm

Installation length L according to DIN 3202 part 4, row M5.

Accessories



Heat insulating shell

Made of EPP
Fire class B2

| DN | EAN | Article No |
|----|---------------|-------------|
| 15 | 4024052575015 | 0670-02.553 |
| 20 | 4024052575114 | 0670-03.553 |
| 25 | 4024052575213 | 0670-04.553 |
| 32 | 4024052575312 | 0670-05.553 |
| 40 | 4024052599219 | 0670-06.553 |
| 50 | 4024052599318 | 0670-08.553 |

The products, texts, photographs, graphics and diagrams in this document may be subject to alteration by IMI Hydronic Engineering without prior notice or reasons being given. For the most up to date information about our products and specifications, please visit www.imi-hydronic.com.