

Climate
Control

IMI TA

TA-MC50-C



Actuators

High performance proportional actuator – 500 N

TA-MC50-C

High performance proportional actuators with automatic stroke adaptation which provide 3-point control when used together with 2-way and 3-way control valves from IMI.

Key features

Easy commissioning

Automatic measurement and adaptation to the valve lift as well as load-dependent end position switch-off helps to reduce commissioning time and protect the valve and actuator from overloading.

Easy troubleshooting

Protected hand drive for a safe manual operation which enables easy troubleshooting.

Ease of service

The actuator housing cover is easy to remove. Parameters can easily be changed on site.



Technical description

Functions:

3-point control.

Supply voltage:

230 VAC $\pm 10\%$
Frequency 50-60 Hz $\pm 5\%$

Power consumption:

Idle/standby: 3.5 VA
Dimensioning: 9.9 VA
Nominal: 5.3 VA

Input signal:

3-point control.

Control speed:

22 s/mm

Adjusting force:

500 N

Operation mode:

S1 100%ED

End position switch-off:

Load-dependent

Temperature:

Media temperature: max. 120°C
Operating environment: 0°C – +50°C
(5-85%RH, non-condensing)
Storage environment: -20°C – +60°C
(5-85%RH, non-condensing)

Ingress protection:

IP40

Protection class:

II (according to EN 60730)

Stroke:

Max. 10 mm

Cable:

0.75 mm², 1.5 m with wire end sleeve.

Connection to valve:

Swivelling nut M30x1.5 of brass.

Colour:

Black body and red cover.

Marking:

IMI TA, CE, Article No, product name and technical specification.

Weight:

0,20 kg

Function

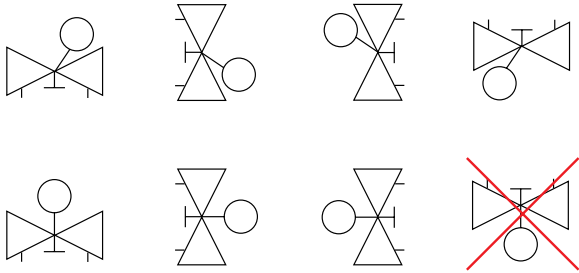
Manual operation

Switch off the power supply and turn with 4 mm allen key.

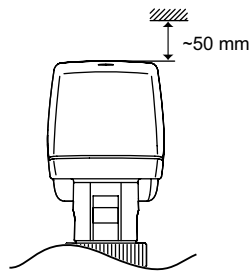
Position indication

Orange pin

Installation



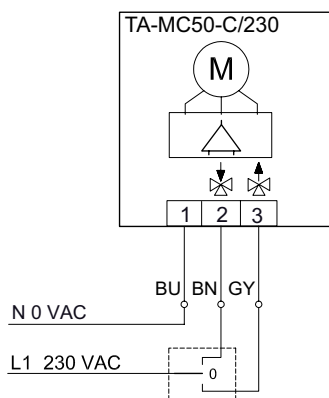
Note!



Connection diagram

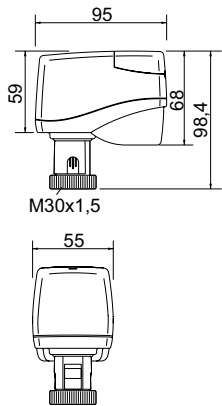
230 VAC

3-point



For 230V in 3-point control, the actuating direction can be changed by exchanging the **grey** and **brown** wires.

Articles



TA-MC50-C

Supply voltage	Input signal	EAN	Article No
230 VAC	3-point	3831112527775	61 050-012