

TA-MC15, TA-MC15-C



Actuators

High performance proportional actuator –
150 N / 200 N

TA-MC15, TA-MC15-C

High performance proportional actuators with automatic stroke adaptation which provide accurate modulating or 3-point control when used together with 2-way and 3-way control valves from IMI Hydronic Engineering.



Key features

> Easy commissioning

Automatic measurement and adaptation to the valve lift as well as load-dependent end position switch-off helps to reduce commissioning time and protect the valve and actuator from overloading.

> Easy troubleshooting

Protected hand drive for a safe manual operation enables easy troubleshooting.

> Ease of service

The actuator housing cover is easy to remove. Parameters can easily be changed on site.

Technical description

Functions:

24 VAC: Modulating or 3-point control.
230 VAC: 3-point control.

Supply voltage:

24 VAC/VDC $\pm 10\%$
230 VAC $+6\%/-10\%$
Frequency 50-60 Hz $\pm 5\%$

Power consumption:

2,5 VA

Input signal:

24 V:
0(2)-10 VDC, $R_i \sim 20 \text{ k}\Omega$.
Signal direction and starting point adjustable by micro switches.
3-point control.
230 V:
3-point control.

Control speed:

22 s/mm

Adjusting force:

TA-MC15: 150 N
TA-MC15-C: 200 N

Operation mode:

S1 100%ED

End position switch-off:

Load-dependent

Temperature:

Max. ambient temperature: 50°C
Min. ambient temperature: 0°C

Ingress protection:

IP40

Protection class:

(according to EN 60730)
24 V: III
230 V: II

Stroke:

TA-MC15: max. 9 mm
TA-MC15-C: max. 6 mm
TA-MC15: Automatic detection of the valve lift (stroke detection).

Cable:

1,5 m, with wire end sleeve.
24 V: 0,5 mm²
230 V: 0,75 mm²

Connection to valve:

Swivelling nut M30x1,5 of brass.

Colour:

Black body and red cover.

Marking:

IMI TA, CE, Article No, product name and technical specification.

Weight:

0,18 kg

Function

Manual operation

Switch off the power supply and turn with 4 mm allen key.

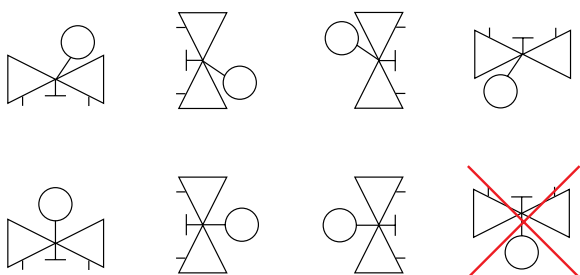
Position indication

Orange pin

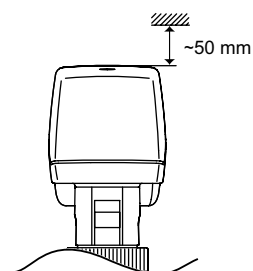
Valve blocking protection

Can be switched on/off (24 V only)

Installation



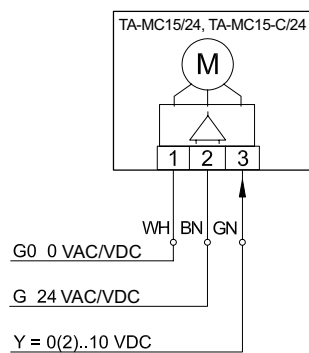
Note!



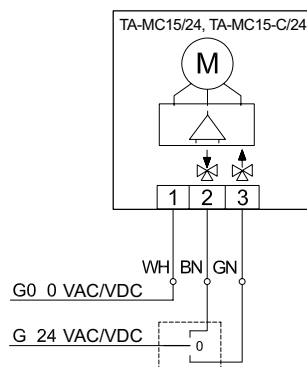
Connection diagram

24 VAC/VDC

Modulating - 0(2)-10V

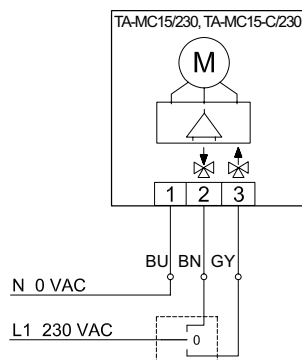


3-point



230 VAC

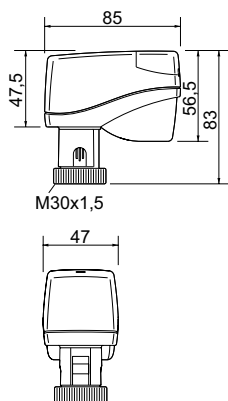
3-point



For 24V in 3-point control, the actuating direction can be changed by exchanging the **green** and **brown** wires.

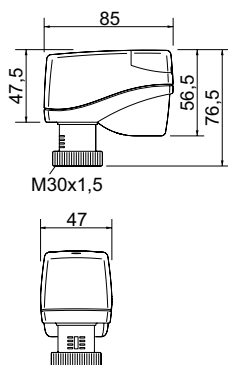
For 230V in 3-point control, the actuating direction can be changed by exchanging the **gray** and **brown** wires.

Articles



TA-MC15

Supply voltage	Input signal	Adjusting force [N]	Stroke max. [mm]	EAN	Article No
24 VAC/VDC	3-point, 0(2)-10 V	150	9		61-015-001
230 VAC	3-point	150	9		61-015-002



TA-MC15-C

Supply voltage	Input signal	Adjusting force [N]	Stroke max. [mm]	EAN	Article No
24 VAC/VDC	3-point, 0(2)-10 V	200	6	3831112527799	61-015-011
230 VAC	3-point	200	6	3831112527805	61-015-012

The products, texts, photographs, graphics and diagrams in this document may be subject to alteration by IMI Hydronic Engineering without prior notice or reasons being given. For the most up to date information about our products and specifications, please visit www.imi-hydronic.com.