

# Compresso Connect F



## **Pressure maintenance systems with compressors**

For heating systems up to 4 MW and cooling systems up to 6 MW

# Compresso Connect F

Compresso is a precision pressurisation system with compressors for heating, solar and chilled water systems. It is especially suitable in situations where compactness and precision are required. The system capacity range lies between pressurisation with Statico and Transfero. The new **BrainCube Connect** control panel allows a new level of connectivity, enabling communication with the BMS system, other BrainCubes as well as remote operation of the pressurisation system through live viewing.

## Key features

### > Improved design for an easier and more comfortable operation

Resistant 3.5" TFT illuminated colour touch display. Intuitive and operation-friendly menu. Web based interface with remote control and live view. BrainCube Connect control panel integrated into TecBox.

### > State-of-the-Art Connectivity

Standardised connections to BMS and remote devices available (RS485, Ethernet, USB) enabling time savings during set-up and service and unit controllability. Communication with up to 8 BrainCubes in a Master/Slave network.

### > Remote Access and Troubleshooting

Remote access and commissioning support, reducing the need for high skilled staff to perform operations. Quicker response time, reduced repair costs. Data logging for system performance checks.



## Technical description – Control unit TecBox

### Applications:

Heating, solar and chilled water systems. For systems according to EN 12828, SWKI HE301-01, solar systems according to EN 12976, ENV 12977 with on-site excess temperature protection in case of power blackout.

### Pressure:

Min. admissible pressure, PSmin: 0 bar  
Max. admissible pressure, PS: see Articles

### Temperature:

Max. admissible ambient temperature, TA: 40°C  
Min. admissible ambient temperature, TAmin: 5°C

### Accuracy:

Precision pressure maintenance  $\pm 0,1$  bar.

### Supply voltage:

1 x 230V (-6% + 10%), 50/60 Hz

### Electric load:

See Articles.

### Enclosure class:

IP 22 according to EN 60529

### Sound pressure level:

59 dB(A) /1bar

### Material:

Main materials include steel, brass and bronze.

### Transportation and storing:

In frostless, dry places.

### Standard:

Constructed according to LV-D. 2014/35/EU  
EMC-D. 2014/30/EU

## Technical description – Expansion vessels

### Applications:

Only together with Control unit TecBox.  
See Applications under Technical description - Control unit TecBox.

### Media:

Non-aggressive and non-toxic system media.  
Addition of antifreeze agent up to 50%.

### Pressure:

Min. admissible pressure, PSmin: 0 bar  
Max. admissible pressure, PS: see Articles

### Temperature:

Max. admissible bag temperature, TB: 70°C  
Min. admissible bag temperature, TBmin: 5°C

For PED purposes:

Max. admissible temperature, TS: 120°C  
Min. admissible temperature, TSmin: -10°C

### Material:

Steel. Color beryllium.  
Airproof butyl bag according to EN 13831.

### Transportation and storing:

In frostless, dry places.

### Standard:

Constructed according to PED 2014/68/EU.

### Warranty:

Compresso CG, CG...E: 5-year warranty for the airproof butyl bag.  
Compresso CU, CU...E: 5-year warranty for the vessel.

## Function, Equipment, Features

### Control unit BrainCube Connect:

- BrainCube Connect control for an intelligent, fully automatic, safe system operation. Self-optimising with memory function.
- Resistive 3.5" TFT illuminated colour touch display. User-friendly, operation-orientated menu layout with slide and tap operation, step-by-step start up procedure guide and direct help in pop-up windows. Representation of all relevant parameters and operation status in plaintext and/or graphical, multilingual.
- Data logging and system analysis, chronological message memory with prioritisation, remote controllable with live view, periodical automatic selftest.
- Silent-run operation.
- Including assembly kit for the air-side connection of the TecBox with the primary vessel.
- High quality metal cover.
- Space-saving assembly on the CU or CG primary vessel.
- Fillsafe monitoring and control from an optional Pleno P water make-up unit .

### Vessels:

- Airproof butyl bag (CU, CU...E, CG, CG...E), exchangeable (CG, CG...E).
- Including flex tube for the water-side connection and lock shield valve with ball valve for fast draining (CU, CG).
- Including assembly kit for the air-side connection of the vessels and lock shield valve for the water-side connection with ball valve for fast draining (CU...E, CG...E).
- Corrosion-protected internal coating for minimum bag wear (CG, CG...E).
- Endoscopic inspection opening for internal inspections (CU, CU...E). Two flange openings for internal inspections (CG, CG...E).
- Bag can be vented at the top, condensate drain at the bottom.
- Sinus ring for upright installation.

## Calculation

### Pressure maintenance for systems TAZ ≤ 100°C

Calculation following EN 12828, SWKI HE301-01 \*).

For all special applications like solar systems, district heating systems, systems with temperatures higher than 100°C, cooling systems with temperatures below 5°C please use HySelect software or contact us.

### General equations

<b>Vs</b>	Water capacity of the system	Heating	<b>Vs = vs · Q</b>	vs Q	Specific water capacity, table 4. Installed heat capacity
		Cooling	Vs= Known		System design, content calculation
			Vs= Known		System design, content calculation
<b>Ve</b>	Expansion volume	EN 12828	<b>Ve=e · (Vs + Vhs)</b>	e, ehs	Expansion coefficient for $t_{s_{max}}$ , table 1
		Cooling	Ve=e · (Vs + Vhs)	e, ehs	Expansion coefficient for $t_{s_{max}}$ , table 1 <sup>7)</sup>
		SWKI HE301-01 heating	Ve=e · Vs · X <sup>1)</sup> + ehs · Vhs	e ehs	Expansion coefficient for $(t_{s_{max}} + t_r) / 2$ , table 1 Expansion coefficient for $t_{s_{max}}$ , table 1
		SWKI HE301-01 cooling	Ve=e · Vs · X <sup>1)</sup> + ehs · Vhs	e, ehs	Expansion coefficient for $t_{s_{max}}$ , table 1 <sup>7)</sup>
<b>Vwr</b>	Water reserve	EN 12828, Cooling	<b>Vwr ≥ 0,005 · Vs ≥ 3 L</b>		
		SWKI HE301-01	Vwr is considered in Ve with the coefficient X		
<b>p0</b>	Minimum pressure <sup>2)</sup> Lower limit value for the pressure maintenance	EN 12828, Cooling	<b>p0 = Hst/10 + 0,2 bar ≥ pz</b>	Hst	Static height
		SWKI HE301-01	p0=Hst/10 + 0.3 bar ≥ pz	pz	Minimum required equipment pressure for pumps or boilers
<b>pa</b>	Initial pressure Lower threshold for an optimum pressure maintenance		<b>pa ≥ p0 + 0,3 bar</b>		
<b>pe</b>	Final pressure Upper threshold for an optimum pressure maintenance.			psvs dpsvs <sub>c</sub>	Response pressure safety valve system Closing pressure tolerance of the safety valve
		EN 12828	<b>pe ≤ psvs - dpsvs<sub>c</sub></b>	dpsvs <sub>c</sub> dpsvs <sub>c</sub>	= 0,5 bar for psvs ≤ 5 bar <sup>4)</sup> = 0,1 · psvs for psvs > 5 bar <sup>4)</sup>
		cooling	<b>pe ≤ psvs - dpsvs<sub>c</sub></b>	dpsvs <sub>c</sub> dpsvs <sub>c</sub>	= 0,6 bar for psvs ≤ 3 bar <sup>4)</sup> = 0,2 · psvs for psvs > 3 bar <sup>4)</sup>
		SWKI HE301-01 heating	<b>pe ≤ psvs/1.3</b> <b>pe ≤ psvs/1.15</b>		for psvs ≤ 3 bar <sup>4)</sup> for psvs > 3 bar <sup>4)</sup>
		SWKI HE301-01 cooling	<b>pe ≤ psvs/1.3 and</b> <b>pe ≤ psvs - 0.6 bar</b>		psvs <sup>4)</sup>

### Compresso

<b>pe</b>	Final pressure		<b>pe=pa+0,2</b>		
<b>VN</b>	Nominal volume of the expansion vessel <sup>5)</sup>	EN 12828, Cooling	<b>VN ≥ (Ve + Vwr + 2<sup>3)</sup>) · 1,1</b>		
		SWKI HE301-01	<b>VN ≥ (Ve + 2<sup>3)</sup>) · 1,1</b>		
<b>TecBox</b>			<b>Q = f(Hst)</b>		>> Quick selection Compresso

1) Heating, Cooling, Solar: Q ≤ 10 kW: X = 3 | 10 kW < Q ≤ 150 kW: X = (87-0,3 · Q)/28 | Q > 150 kW: X = 1,5

Geothermal probe systems: X = 2,5

2) The formula for minimum pressure p0 applies to the installation of pressure maintenance on the suction side of the circulation pump. In case of a pressure-side installation p0 is to be increased by the pump pressure Δp.

3) Add 2 litres when a Vento is installed in the system.

4) The safety valves must operate within these limits. Use component tested and certified safety valves of type H and DGH for heating systems, type F for cooling systems.

5) Please select a vessel with an equal or higher nominal volume.

7) Max. system standstill temperature, usually 40°C for cooling applications and geothermal probes with ground regeneration, 20°C for other geothermal probes

\*) SWKI HE301-01: Valid for Switzerland

HySelect calculation software is based on an advanced calculation method and database. Results may vary.

**Table 1: e expansion coefficient**

t (TAZ, ts <sub>max</sub> , tr, ts <sub>min</sub> ), °C	20	30	40	50	60	70	80	90	100	105	110
<b>e Water</b> = 0°C	0,0016	0,0041	0,0077	0,0119	0,0169	0,0226	0,0288	0,0357	0,0433	0,0472	0,0513
<b>e % weight MEG*</b>											
30% = -14,5°C	0,0093	0,0129	0,0169	0,0224	0,0286	0,0352	0,0422	0,0497	0,0577	0,0620	0,0663
40% = -23,9°C	0,0144	0,0189	0,0240	0,0300	0,0363	0,0432	0,0505	0,0582	0,0663	0,0706	0,0750
50% = -35,6°C	0,0198	0,0251	0,0307	0,0370	0,0437	0,0507	0,0581	0,0660	0,0742	0,0786	0,0830
<b>e % weight MPG**</b>											
30% = -12,9°C	0,0151	0,0207	0,0267	0,0333	0,0401	0,0476	0,0554	0,0639	0,0727	0,0774	0,0823
40% = -20,9°C	0,0211	0,0272	0,0338	0,0408	0,0481	0,0561	0,0644	0,0731	0,0826	0,0873	0,0924
50% = -33,2°C	0,0288	0,0355	0,0425	0,0500	0,0577	0,0660	0,0747	0,0839	0,0935	0,0985	0,1036

**Table 4: vs approx. water capacity \*\*\* of central heatings referred to the installed heat capacity Q**

ts <sub>max</sub>   tr	°C	90   70	80   60	70   55	70   50	60   40	50   40	40   30	35   28
Radiators	vs liter/kW	14,0	16,5	20,1	20,6	27,9	36,6	-	-
Flat radiators	vs liter/kW	9,0	10,1	12,1	11,9	15,1	20,1	-	-
Convectors	vs liter/kW	6,5	7,0	8,4	7,9	9,6	13,4	-	-
Air handlers	vs liter/kW	5,8	6,1	7,2	6,6	7,6	10,8	-	-
Floor heating	vs liter/kW	10,3	11,4	13,3	13,1	15,8	20,3	29,1	37,8

\*) MEG = Mono-Ethylene Glycol

\*\*) MPG = Mono-Propylene Glycol

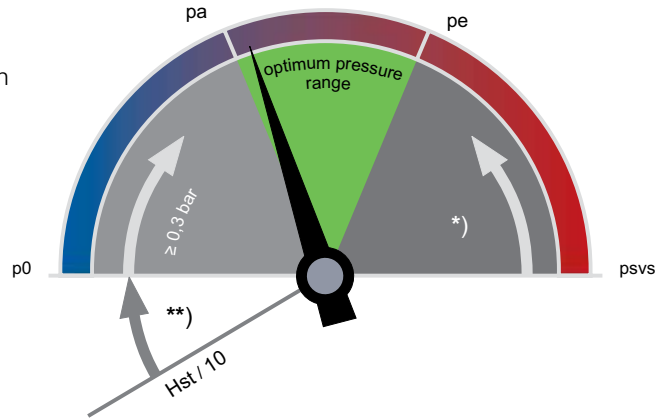
\*\*\*) Water capacity = heat generator + distribution net + heat emitters

## Temperatures

<b>ts<sub>max</sub></b>	<b>Maximum system temperature</b> Maximum temperature for the calculation of the volume expansion. For heating systems the dimensioned flow temperature at which a heating system is to be operated with the lowest outside temperature to be assumed (standard outside temperature according to EN 12828). For cooling systems the max. temperature that is achieved due to the operation mode or standstill, for solar systems the temperature up to which an evaporation is to be avoided.
<b>ts<sub>min</sub></b>	<b>Lowest system temperature</b> Lowest temperature for calculating expansion volumes. The lowest system temperature is equal to the freezing point. It is dependant on the percentage of antifreeze additives. For water without additives t <sub>min</sub> = 0.
<b>tr</b>	<b>Return temperature</b> Return temperature of the heating system with the lowest outside temperature to be assumed (standard outside temperature according to EN 12828).
<b>TAZ</b>	<b>Safety temperature limiter   Safety temperature controller   Temperature limit</b> Safety device according to EN 12828 for the temperature protection of heat generators. If the set temperature limit is exceeded the heating is turned off. Limiters are locked, controllers automatically release the heat supply if the set temperature falls short. Setting value for systems according to EN 12828 ≤ 110 °C.

**Precision pressure maintenance**

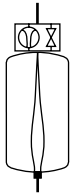
Air controlled Compresso minimize the pressure variations between  $p_a$  and  $p_e$ .  
 $\pm 0,1$  bar



\*\*) EN 12828, Solar, Cooling:  $\geq 0,2$  bar  
 SWKI HE301-01:  $\geq 0,3$  bar

\*) EN 12828:  $\geq psvs \cdot 0,9 \geq 0,5$  bar  
 Solar, Cooling:  $\geq psvs \cdot 0,8 \geq 0,6$  bar  
 SWKI HE301-01 Heating,  $psvs \leq 3$  bar:  $\geq psvs / 1,3$   
 SWKI HE301-01 Heating,  $psvs > 3$  bar:  $\geq psvs / 1,15$   
 SWKI HE301-01 Cooling:  $\geq psvs / 1,3$

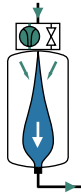
**p0 Minimum pressure**



**Compresso**

$p_0$  and the switching points are calculated by the BrainCube.

**pa Initial pressure**



**Compresso**

If the system pressure is  $< p_a$ , the compressor starts.  
 $p_a = p_0 + 0,3$

**pe Final pressure**



**Compresso**

If system pressure is  $> p_e$  the air relief valve opens.  
 $p_e = p_a + 0,2$

**Table 5: DNe standard values for expansion pipes with Statico and Compresso**

Length up to approx. 30 m	DNe	20	25	32	40
<b>Heating:</b>					
EN 12828	Q   kW	1000	1700	3000	3900
SWKI HE301-01 *)	Q   kW	300	600	900	1400
<b>Cooling:</b>					
$ts_{max} \leq 50$ °C	Q   kW	1600	2700	4800	6300

\*) Valid for Switzerland

## Quick selection

Heating systems TAZ ≤ 100°C, without addition of antifreeze, EN 12828.

Q [kW]	TecBox 1 compressor C 10.1 F Static height Hst [m] **)	Primary vessel			
		Radiators		Flat radiators	
		90   70	70   50	90   70	70   50
		Nominal volume VN [liter]			
≤ 300	47,1	200	200	200	200
400	47,1	300	300	200	200
500	47,1	300	300	200	200
600	46,0	400	400	300	300
700	42,0	500	500	300	300
800	38,5	500	500	400	300
900	<b>35,6</b>	<b>600</b>	600	400	400
1000	33,0	600	600	400	400
1100	30,8	800	800	500	400
1200	28,7	800	800	500	500
1300	26,9	800	800	500	500
1400	25,2			600	500
1500	23,7			600	600
2000	17,6			800	800

\*\*) With SWKI HE301-01 the value decreases with 1m

### Example

Q = 900 kW  
Radiators 90 | 70 °C  
TAZ = 100 °C  
Hst = 35 m  
psvs = 6 bar

Selected:  
TecBox C 10.1-6 F  
Primary vessel CU 600.6

Setting of BrainCube:

Hst = 35 m  
TAZ = 100 °C

Check safety valve psvs:  
for TAZ = 100 °C

EN 12828: psvs:  $(35/10 + 0,7) \cdot 1,11 = 4,66 < 6$  o.k.  
SWKI HE301-01: psvs:  $(35/10 + 0,8) \cdot 1,15 = 4,95 < 6$  o.k.

### Setting values

for TAZ, Hst and psv in the "Parameter" menu of the BrainCube.

			TAZ = 100 °C	TAZ = 105 °C	TAZ = 110 °C
EN 12828	Check psv:	for psv ≤ 5 bar	$psv \geq 0,1 \cdot Hst + 1,2$	$psv \geq 0,1 \cdot Hst + 1,4$	$psv \geq 0,1 \cdot Hst + 1,6$
		for psv > 5 bar	$psv \geq (0,1 \cdot Hst + 0,7) \cdot 1,11$	$psv \geq (0,1 \cdot Hst + 0,9) \cdot 1,11$	$psv \geq (0,1 \cdot Hst + 1,1) \cdot 1,11$
SWKI HE301-01		for psv ≤ 3 bar	$psv \geq (0,1 \cdot Hst + 0,8) \cdot 1,3$	$psv \geq (0,1 \cdot Hst + 1,0) \cdot 1,3$	$psv \geq (0,1 \cdot Hst + 1,2) \cdot 1,3$
		for psv > 3 bar	$psv \geq (0,1 \cdot Hst + 0,8) \cdot 1,15$	$psv \geq (0,1 \cdot Hst + 1,0) \cdot 1,15$	$psv \geq (0,1 \cdot Hst + 1,2) \cdot 1,15$

## Equipment

### Expansion pipes

According to table 5. With multiple vessels to be calculated depending on the output per vessel.

### Lock shield valve DLV

Included with delivery.

### Zeparo

Air vent Zeparo ZUT or ZUP at each high point for venting during the filling and during the draining process. Separator for dirt and magnetite in each system in the main return to the heat generator. If no central degassing (Vento V Connect) is installed a micro bubble separator can be installed in the main flow if possible before the circulation pump.

The static height, Hst<sub>m</sub>, according to the following table above the micro bubble separators, must not be exceeded.

ts <sub>max</sub>   °C	90	80	70	60	50	40	30	20	10
Hst <sub>m</sub>   mWs	15,0	13,4	11,7	10,0	8,4	6,7	5,0	3,3	1,7

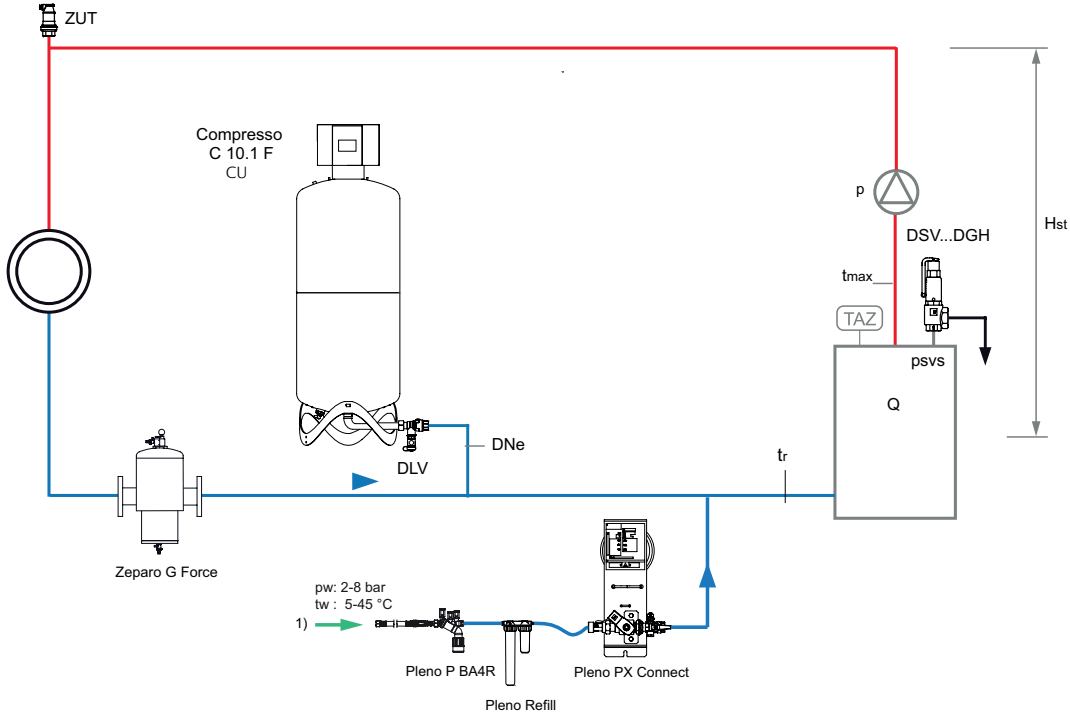
## Application examples

### Compresso C 10.1 F Connect

TecBox with 1 compressor on the primary vessel, precision pressure maintenance  $\pm 0,1$  bar with Pleno P water make-up

### For heating systems up to approx. 2 000 kW

(May require changes to meet local legislation)



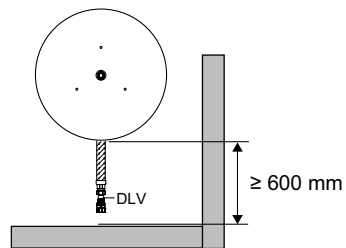
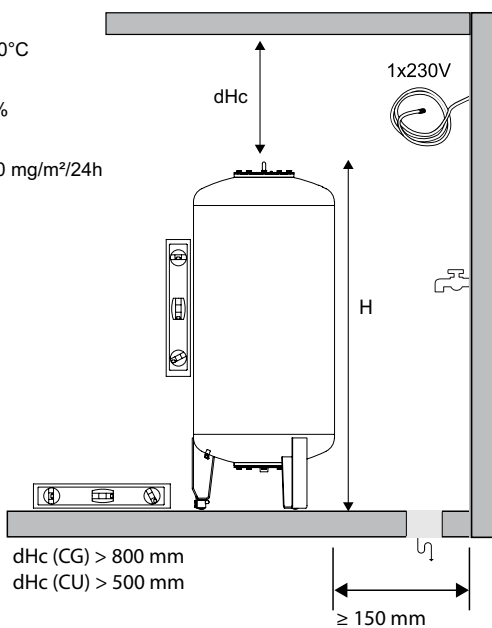
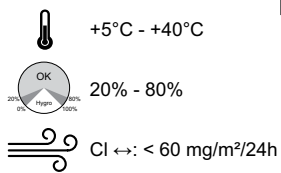
1) Water make-up connection,  $p_w \geq p_0 + 1,7$  bar (max. 8 bar)

**Zeparo G-Force** cyclonic dirt separator with magnet ZIMA in the return.

**Zeparo ZUT** for automatic venting during filling and during draining.

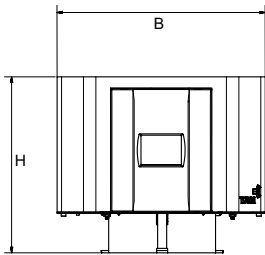
**Further accessories, product and selection details, see:** Datasheet *Pleno*, *Zeparo* and *Accessories*.

## Installation





## Control unit TecBox, Compresso C 10.F Connect



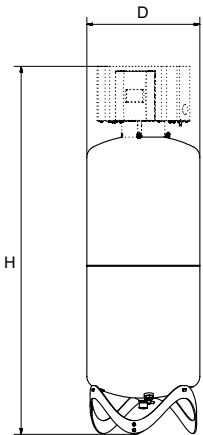
### Compresso C 10.1 F Connect

Precision pressure maintenance  $\pm 0.1$  bar  
1 compressor. Valve manifold with 1 spill valve and safety valve.

Type	PS [bar]	B	H	T	m [kg]	PeI [kW]	EAN	Article No
C 10.1-3.75 F	3,75	370	315	370	14	0,6	7640153570970	810 1411
C 10.1-5 F	5	370	315	370	14	0,6	7640153570987	810 1413
C 10.1-6 F	6	370	315	370	14	0,6	7640153570994	810 1414

T = Depth of the device

## Expansion vessels

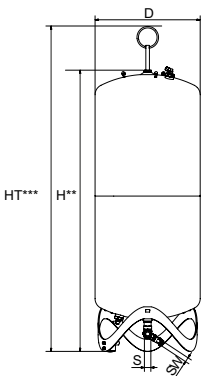


### Compresso CU

Primary vessel. Measuring foot for content measurement. Including flex tube for the water-side connection and lock shield valve with ball valve for fast draining.

Type	VN [l]	D	H	m [kg]	S	Sw	EAN	Article No
<b>6 bar (PS)</b>								
CU 200.6	200	500	1622	34	Rp1	G3/4	7640148630771	712 1000
CU 300.6	300	560	1753	40	Rp1	G3/4	7640148630788	712 1001
CU 400.6	400	620	1818	58	Rp1	G3/4	7640148630795	712 1002
CU 500.6	500	680	1914	67	Rp1	G3/4	7640148630801	712 1003
CU 600.6	600	740	1925	80	Rp1	G3/4	7640148630818	712 1004
CU 800.6	800	740	2418	98	Rp1	G3/4	7640148630825	712 1005

VN = Nominal volume



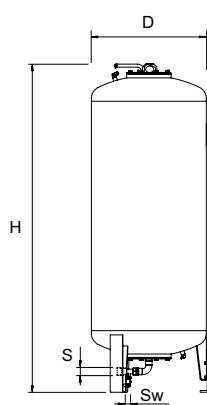
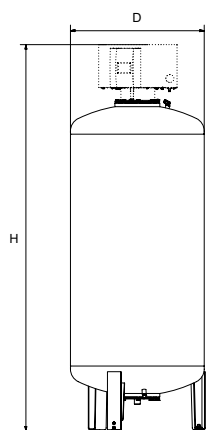
### Compresso CU...E

Secondary vessel. Including flex tube for the water-side connection and lock shield valve with ball valve for fast draining, assembly kit for the air-side connection of the vessels.

Type	VN [l]	D	H	H***	m [kg]	S	Sw	EAN	Article No
<b>6 bar (PS)</b>									
CU 200.6 E	200	500	1340	1565	33	Rp1	G3/4	7640148630832	712 2000
CU 300.6 E	300	560	1469	1690	39	Rp1	G3/4	7640148630849	712 2001
CU 400.6 E	400	620	1532	1760	57	Rp1	G3/4	7640148630856	712 2002
CU 500.6 E	500	680	1627	1858	66	Rp1	G3/4	7640148630863	712 2003
CU 600.6 E	600	740	1638	1873	79	Rp1	G3/4	7640148630870	712 2004
CU 800.6 E	800	740	2132	2360	97	Rp1	G3/4	7640148630887	712 2005

VN = Nominal volume

\*\*\*) Max. height when vessel is tilted



300-700 l

### Compresso CG

Primary vessel. Measuring foot for content measurement. Including flex tube for the water-side connection and lock shield valve with ball valve for fast draining.

Type*	VN [l]	D	H**	m [kg]	S	Sw	EAN	Article No
<b>6 bar (PS)</b>								
CG 300.6	300	500	2086	140	Rp1	G3/4	7640148630894	712 1006
CG 500.6	500	650	2126	190	Rp1	G3/4	7640148630900	712 1007
CG 700.6	700	750	2156	210	Rp1	G3/4	7640148630917	712 1008

VN = Nominal volume

\*\*\*) Tolerance 0 /-100.

### Compresso CG...E

Secondary vessel. Including lock shield valve with ball valve for fast draining, assembly kit for the air-side connection of the vessels.

Type*	VN [l]	D	H**	H***	m [kg]	S	Sw	EAN	Article No
<b>6 bar (PS)</b>									
CG 300.6 E	300	500	1823	1839	140	Rp1	G3/4	7640148630986	712 2006
CG 500.6 E	500	650	1864	1893	190	Rp1	G3/4	7640148630993	712 2007
CG 700.6 E	700	750	1894	1931	210	Rp1	G3/4	7640148631006	712 2008

VN = Nominal volume

\*) Special vessels upon request.

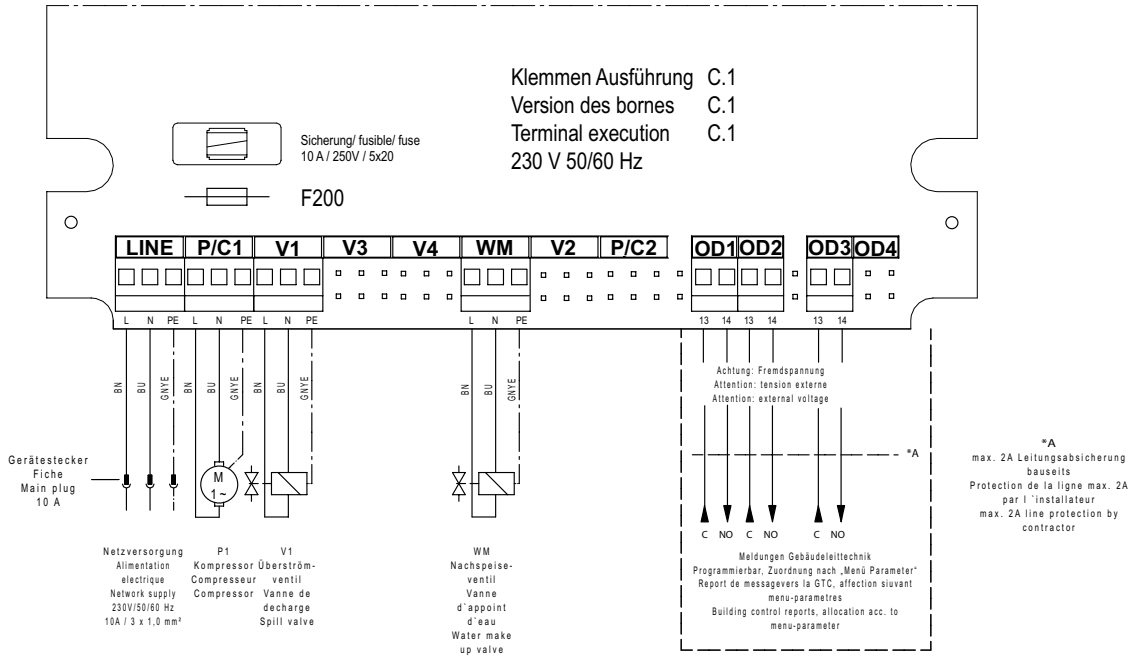
\*\*\*) Tolerance 0 /-100.

\*\*\*\*) Max. height when vessel is tilted

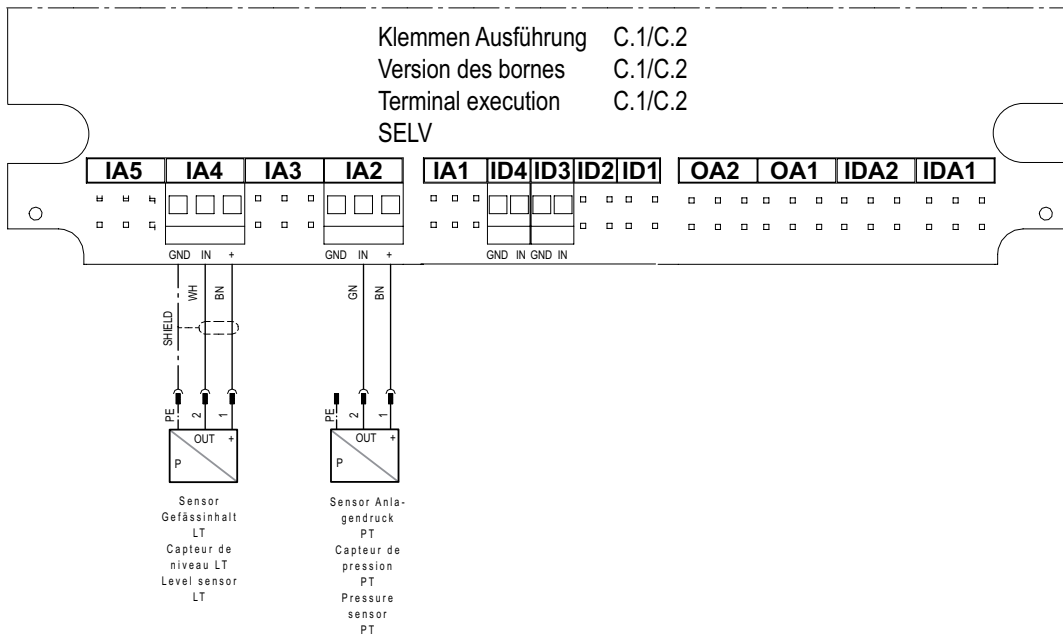
## Electrical scheme

230 V/ 50/60 Hz

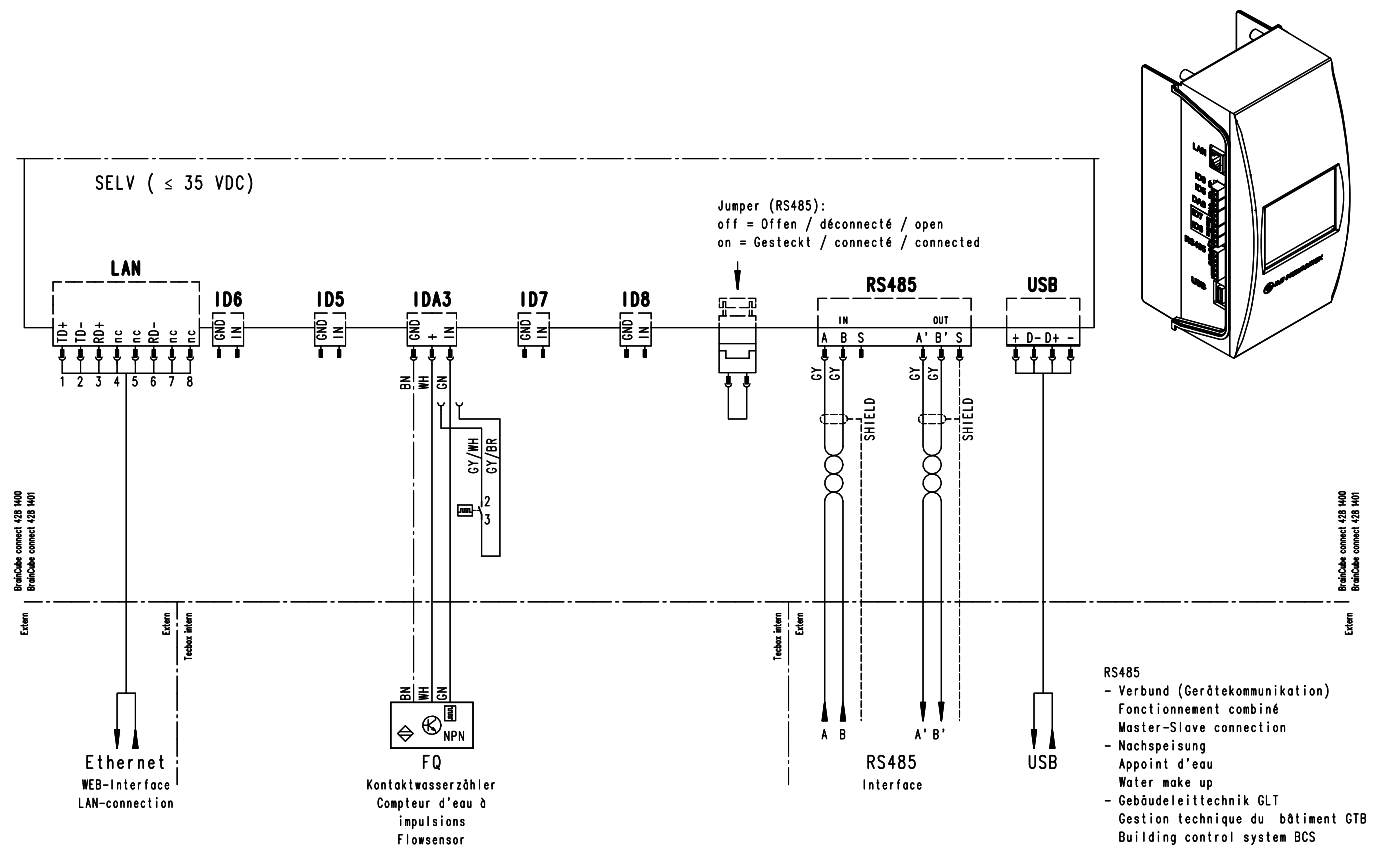
### Electrical supply Compresso C 10.1 F



### Safety Extra Low Voltage connections



Communication



The products, texts, photographs, graphics and diagrams in this document may be subject to alteration by IMI Hydronic Engineering without prior notice or reasons being given. For the most up to date information about our products and specifications, please visit [www.imi-hydronic.com](http://www.imi-hydronic.com).