

**Climate
Control**

IMI TA

CV206/216 GG, CV306/316 GG



Standard control valves

2- or 3-way, DN 15-200, cast iron

CV206/216 GG, CV306/316 GG

Suitable in building applications for heating and cooling systems. Available in dimensions up to DN 200, pressure class PN 6 and PN 16 with flanges.

Key features

Microprocessor controlled
Multifunctional adjustable.

Tight sealing
Tight closed in both end-positions.

Extensive actuator programme
For different actuating thrust and actuating time – easily interchangeable.



Technical description

Application:

Heating and cooling systems

Function:

CV206/216 GG: 2-way control valve
CV306/316 GG: 3-way mixing or reversing valve

Characteristics:

CV206/216 GG: Equal percentage.
CV306/316 GG: A-AB equal percentage. B-AB linear.

Dimensions:

CV206/306 GG: DN 15-100
CV216/316 GG: DN 15-200

Pressure class:

CV206/306 GG: PN 6
CV216/316 GG: PN 16

Temperature:

Max. working temperature: 150°C
(The valves should be mounted in horizontal position at temperatures above 130°C)
Min. working temperature: 0°C
(Suitable for water with antifreeze compounds down to -10°C)
For lower and higher temperatures (up to 200°C) and working pressures PN 25-40 please contact IMI.

Material:

Body: Cast iron EN-JL1040
Plug: Brass CW614N, DN 125-200 CrNi steel 1.4305
Stem: CrMo steel 1.4122
Stem sealing: EPDM O-rings

Marking:

PN, DN and flow direction arrow.
(in case of CV306/316 GG names of ports also - A, B, AB)

Leakage rate:

DN 15-150: EN 1349, seat-leakage VI G 1 (tight sealing)
DN 200: EN 1349, seat-leakage IV L 1 ($\leq 0,01\%$ of Kvs)

Max. lift of the control valve:

DN 15-50: 14 mm
DN 65: 20 mm
DN 65-100: 30 mm
DN 125-150: 50 mm
DN 200: 60 mm

Rangeability:

DN 15: 50:1
DN 20-200: 100:1

Connection:

Flanges according to EN 1092-2 type 21

Face to face length:

According to EN 558-1 basic series 1

Actuators:

TA-MC55
TA-MC65
TA-MC100
TA-MC160
TA-MC161
TA-MC220
TA-MC400
TA-MC500
TA-MC1000

Valve variants and accessories

See sections “Accessories for actuators”, “Accessories for valves” and “Valve variants”.

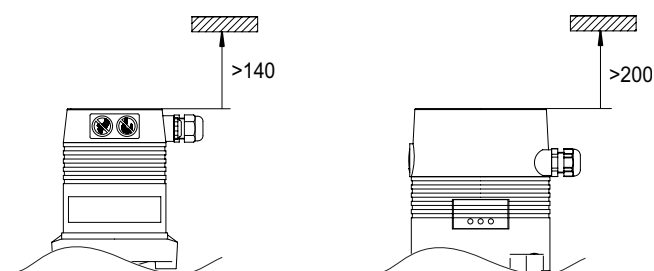
Installation

Valve trim could be damaged by dirt in the pipe system.
Installation of strainers are recommended.

Note! A free space above the actuators is necessary.

TA-MC55/65/100/160/161/220

TA-MC400/500/1000



Technical data – Valve with actuator

PN 6

DN			15	20	25	32	40	50	65	65	80	100
Kvs			4	6,3	10	16	25	40	63	63	100	160
			2,5	5	8	12,5	20	31,5	50	50	80	125
			1,6									
			1,25									
			0,63									
Stroke	mm		14	14	14	14	14	14	20	30	30	30
TA-MC55/24 TA-MC55/230 TA-MC55Y	Actuating time ¹⁾	s	125	125	125	125	125	125	-	-	-	-
	Closing pressure	kPa	600	600	600	450	250	150	-	-	-	-
			70*	70*	70*	70*	70*	70*				
TA-MC65/24 TA-MC65/230 TA-MC65Y	Actuating time ¹⁾	s	-	-	-	-	-	-	180	-	-	-
	Closing pressure	kPa	-	-	-	-	-	-	100	-	-	-
									100*			
TA-MC100/24 TA-MC100/230	Actuating time ¹⁾	s	170	170	170	170	170	170	240			
			125*	125*	125*	125*	125*	125*	180*			
			55	55	55	55	55	55	80	-	-	-
	Closing pressure	kPa	600	600	600	600	550	350	150	-	-	-
TA-MC161/24 TA-MC161/230	Actuating time ¹⁾	s	-	-	-	-	85	85	120			
	Closing pressure	kPa	-	-	-	-	600	600	350	-	-	-
	Closing pressure VDC	kPa	-	-	-	-	600	370	230	-	-	-
TA-MC160/24 TA-MC160/230	Actuating time ¹⁾	s	-	-	-	-	-	-	-	180	180	180
	Closing pressure	kPa	-	-	-	-	-	-	-	120*	120*	120*
	Closing pressure VDC	kPa	-	-	-	-	-	-	-	350	230	140
TA-MC220/24 TA-MC220/230	Actuating time ¹⁾	s	-	-	-	-	-	-	-	90	90	90
	Closing pressure	kPa	-	-	-	-	-	-	-	500	300	200
TA-MC400/24 TA-MC400/230	Actuating time ¹⁾	s	-	-	-	-	-	-	-	20	20	20
	Closing pressure	kPa	-	-	-	-	-	-	-	15*	15*	15*
TA-MC500/24 TA-MC500/230	Actuating time ¹⁾	s	-	-	-	-	-	-	-	150	150	150
	Closing pressure	kPa	-	-	-	-	-	-	-	75*	75*	75*
			-	-	-	-	-	-	-	600	600	500

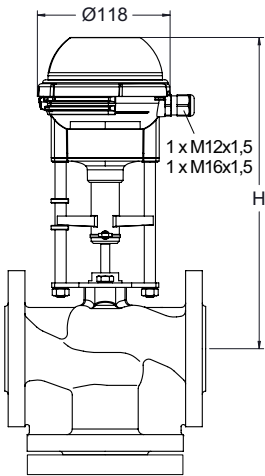
1) Actuating time freely adjustable, presetting is marked with *

PN 16

DN			15	20	25	32	40	50	65	65	80	100	125	150	200 CV216 GG	200 CV316 GG
Kvs			4 2,5 1,6 1,25 0,63	6,3 5	10 8	16 12,5	25 20	40 31,5	63 50	63 50	100 80	160 125	250	315	500	500
Stroke		mm	14	14	14	14	14	14	20	30	30	30	50	50	60	60
TA-MC55/24 TA-MC55/230 TA-MC55Y	Actuating time ¹⁾	s	125 70*	125 70*	125 70*	125 70*	125 70*	125 70*	-	-	-	-	-	-	-	-
	Closing pressure	kPa	1500	1250	750	450	250	150	-	-	-	-	-	-	-	-
TA-MC65/24 TA-MC65/230 TA-MC65Y	Actuating time ¹⁾	s	-	-	-	-	-	-	180 100*	-	-	-	-	-	-	-
	Closing pressure	kPa	-	-	-	-	-	-	100	-	-	-	-	-	-	-
TA-MC100/24 TA-MC100/230	Actuating time ¹⁾	s	170 125* 55 30	170 125* 55 30	170 125* 55 30	170 125* 55 30	170 125* 55 30	170 125* 55 30	240 180* 80 40	-	-	-	-	-	-	-
	Closing pressure	kPa	1600	1600	1500	900	550	350	150	-	-	-	-	-	-	-
TA-MC161/24 TA-MC161/230	Actuating time ¹⁾	s	-	-	-	85 55*	85 55*	85 55*	120 80*	-	-	-	-	-	-	-
	Closing pressure	kPa	-	-	-	1500	950	600	350	-	-	-	-	-	-	-
	Closing pressure VDC	kPa	-	-	-	950	600	370	230	-	-	-	-	-	-	-
TA-MC160/24 TA-MC160/230	Actuating time ¹⁾	s	-	-	-	-	-	-	-	180 120*	180 120*	180 120*	-	-	-	-
	Closing pressure	kPa	-	-	-	-	-	-	-	350	230	140	-	-	-	-
	Closing pressure VDC	kPa	-	-	-	-	-	-	-	180	120	80	-	-	-	-
TA-MC220/24 TA-MC220/230	Actuating time ¹⁾	s	-	-	-	-	-	-	-	90	90	90	-	-	-	-
	Closing pressure	kPa	-	-	-	-	-	-	-	500	300	200	-	-	-	-
TA-MC400/24 TA-MC400/230	Actuating time ¹⁾	s	-	-	-	-	-	-	-	20 15*	20 15*	20 15*	30 20*	30 20*	40 25*	-
	Closing pressure	kPa	-	-	-	-	-	-	-	950	650	400	300	200	300	-
TA-MC500/24 TA-MC500/230	Actuating time ¹⁾	s	-	-	-	-	-	-	-	150 75*	150 75*	150 75*	250 125*	250 125*	300 150*	300 150*
	Closing pressure	kPa	-	-	-	-	-	-	-	1250	850	500	370	270	600	110
TA-MC1000/24 TA-MC1000/230	Actuating time	s	-	-	-	-	-	-	-	-	-	-	50	50	60	60
	Closing pressure	kPa	-	-	-	-	-	-	-	-	-	-	800	550	1200	240

1) Actuating time freely adjustable, presetting is marked with *

Actuator TA-MC55/TA-MC65



TA-MC55/24, TA-MC55/230, TA-MC55Y, TA-MC65/24, TA-MC65/230, TA-MC65Y

DN	24/230 V H	Kg *	
15	267	1,5	TA-MC55
20	272	1,5	TA-MC55
25 - 32	277	1,5	TA-MC55
40 - 50	282	1,5	TA-MC55
65	335	1,5	TA-MC65

*) Actuator

Technical description

		TA-MC55/ 24	TA-MC55/ 230	TA-MC55Y/ 24	TA-MC65/ 24	TA-MC65/ 230	TA-MC65Y/ 24
Actuating time ¹⁾	s/mm	9 · 5*					
Actuating thrust	kN	0,6					
Stroke	mm	max. 14			max. 20		
Power supply	VAC	24 ±10%	230 +6% -10%	24 ±10%	24 ±10%	230 +6% -10%	24 ±10%
Power supply	VDC	24 ±10%	-	24 ±10%	24 ±10%	-	-
Frequency	Hz	50/60 ±5%					
Power consumption	VA	3,5	7	3,5	3,5	7	3,5
Input signal ³⁾		3-point		0(2)...10 VDC, 77 kΩ 0(4)...20 mA, 0,51 kΩ	3-point		0(2)...10 VDC, 77 kΩ 0(4)...20 mA, 0,51 kΩ
Output signal ³⁾		0...10 VDC max. 8 mA min. 1200 Ω					
Hysteresis	V	0,3					

Ingress protection:

Automatic operation: IP 54

Manual operation: IP 30

Resolution:

Electric: 0,04 VDC

Mechanical: 0,06 mm

Electrical connection:

Actuator with screwed terminals.

Ambient temperature:

0 - +60°C

Operation mode:

S3 - 50% ED c/h 1200, EN 60034-1

End position switch-off:

Load-dependent

Actuator variants:

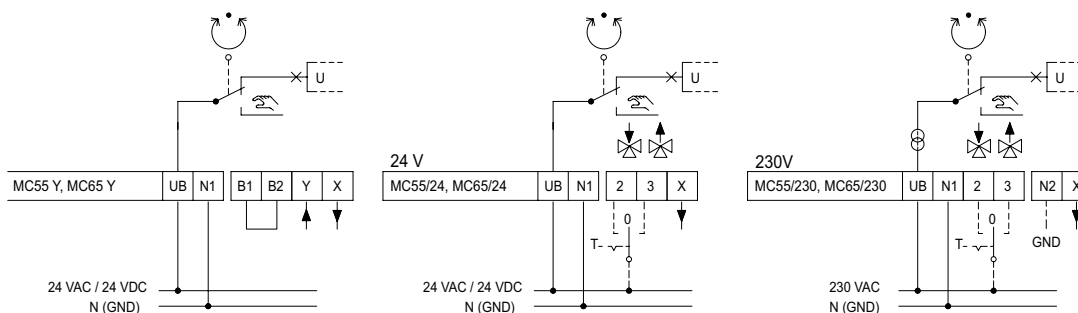
Voltage: 115 VAC

See "Actuators" and "Accessories for actuators".

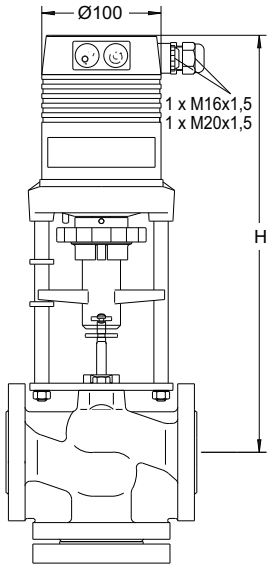
1) Actuating time freely adjustable, presetting is marked with *

3) Invertible input and output signal

Wiring diagram:



Actuator TA-MC100



TA-MC100/24, TA-MC100/230

DN	24 V H	230 V H	Kg *
15	343	368	2,5
20	348	373	2,5
25 - 32	353	378	2,5
40 - 50	358	383	2,5
65	408	433	2,5

*) Actuator

Technical description

		TA-MC100/24	TA-MC100/230
Actuating time ¹⁾	s/mm	12 · 9* · 4 · 1,9	12 · 9* · 4 · 1,9
Actuating thrust	kN	1,0	1,0
Stroke	mm	max. 20	max. 20
Power supply	VAC	24 ±10%	230 +6% -10%
Power supply	VDC	24 ±10%	-
Frequency	Hz	50/60 ±5%	50/60 ±5%
Power consumption	VA	6	12
Input signal ³⁾		3-point 0(2)...10 VDC, 77 kΩ 0(4)...20 mA, 0,51 kΩ	3-point 0(2)...10 VDC, 77 kΩ 0(4)...20 mA, 0,51 kΩ
Output signal ³⁾		0...10 VDC max. 8 mA min. 1200 Ω	0...10 VDC max. 8 mA min. 1200 Ω
Hysteresis ⁴⁾	V	0,15 · 0,5	0,15 · 0,5

Ingress protection:
IP54

Resolution:
Electric: 0,04 VDC
Mechanical: 0,095 mm

Ambient temperature:
0 - +60°C

Operation mode:
S3 - 50% ED c/h 1200, EN 60034-1

End position switch-off:
Load-dependent

Actuator variants:

- Voltage: 115 VAC
- Position switch unit ⁵⁾:
2 switches (WE1/WE2), potential free, infinitely adjustable.
Rated load: 8 A / 250 VAC, 8 A / 30 VDC.
Turn-on voltage: max. 400 VAC, max. 125 VDC
- Enclosure protection: IP 65
- Output signal ⁵⁾: X=0(4)...20 mA

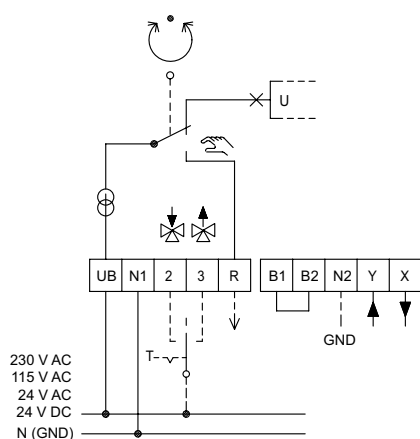
See "Actuators" and "Accessories for actuators".

- 1) Actuating time freely adjustable, presetting is marked with *
- 2) Direct-current - rectified alternating voltage
- 3) Invertible input and output signal
- 4) Freely adjustable
- 5) Position switch unit and output signal 0(4)...20 mA not in combination

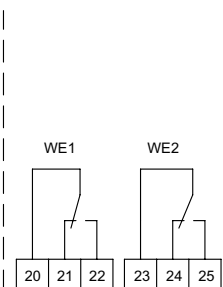
Wiring diagram:

B1/B2 Connection of a binary signal (e.g. frost safety)

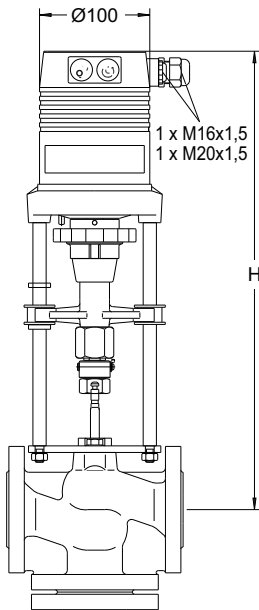
Standard design



Special accessories



Actuator TA-MC160/TA-MC161



TA-MC160/24, TA-MC160/230, TA-MC161/24, TA-MC161/230

DN	24 V H	230 V H	Kg *	
32	443	468	3,2	TA-MC161
40 - 50	448	473	3,2	TA-MC161
65	486	511	3,2	TA-MC161 TA-MC160
80	496	521	3,2	TA-MC160
100	506	531	3,2	TA-MC160

*) Actuator

Technical description

		TA-MC160/24	TA-MC161/24	TA-MC160/230	TA-MC161/230
Actuating time ¹⁾	s/mm	6 · 4*	6 · 4*	6 · 4*	6 · 4*
Actuating thrust	kN	1,6 (VAC) / 1,1 (VDC)	1,6 (VAC) / 1,1 (VDC)	1,6 (VAC) / 1,1 (VDC)	1,6 (VAC) / 1,1 (VDC)
Stroke	mm	max. 30	max. 20	max. 30	max. 20
Power supply	VAC	24 ±10%	24 ±10%	230 +6% -10%	230 +6% -10%
Power supply	VDC	24 ±10%	24 ±10%	-	-
Frequency	Hz	50/60 ±5%	50/60 ±5%	50/60 ±5%	50/60 ±5%
Power consumption	VA	6	6	12	12
Input signal ³⁾		3-point 0(2)...10 VDC, 77 kΩ 0(4)...20 mA, 0,51 kΩ	3-point 0(2)...10 VDC, 77 kΩ 0(4)...20 mA, 0,51 kΩ	3-point 0(2)...10 VDC, 77 kΩ 0(4)...20 mA, 0,51 kΩ	3-point 0(2)...10 VDC, 77 kΩ 0(4)...20 mA, 0,51 kΩ
Output signal ³⁾		0...10 VDC max. 8 mA min. 1200 Ω	0...10 VDC max. 8 mA min. 1200 Ω	0...10 VDC max. 8 mA min. 1200 Ω	0...10 VDC max. 8 mA min. 1200 Ω
Hysteresis ⁴⁾	V	0,05 · 0,15 · 0,3 · 0,5	0,05 · 0,15 · 0,3 · 0,5	0,05 · 0,15 · 0,3 · 0,5	0,05 · 0,15 · 0,3 · 0,5

Ingress protection:
IP54

Resolution:
Electric: 0,04 VDC
Mechanical: 0,05 mm

Ambient temperature:
0 - +60°C

Operation mode:
S3 - 30% ED c/h 1200, EN 60034-1

End position switch-off:
Load-dependent

Actuator variants:

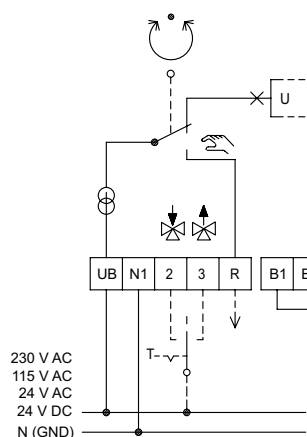
- Voltage: 115 VAC
- Position switch unit ⁵⁾:
2 switches (WE1/WE2), potential free, infinitely adjustable.
Rated load: 8 A / 250 VAC, 8 A / 30 VDC.
Turn-on voltage: max. 400 VAC, max. 125 VDC
- Enclosure protection: IP 65
- Output signal ⁵⁾: X=0(4)...20 mA

See "Actuators" and "Accessories for actuators".

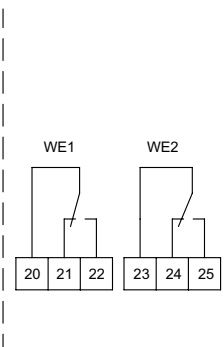
- 1) Actuating time freely adjustable, presetting is marked with *
- 2) Direct-current - rectified alternating voltage
- 3) Invertible input and output signal
- 4) Freely adjustable
- 5) Position switch unit and output signal 0(4)...20 mA not in combination

Wiring diagram:
B1/B2 Connection of a binary signal (e.g. frost safety)

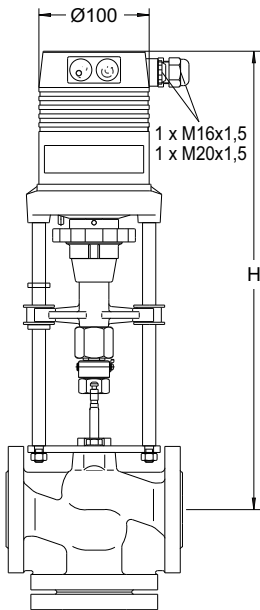
Standard design



Special accessories



Actuator TA-MC220



TA-MC220/24, TA-MC220/230

DN	24 V H	230 V H	Kg *
65	486	511	3,2
80	496	521	3,2
100	506	531	3,2

*) Actuator

Technical description

		TA-MC220/24	TA-MC220/230
Actuating time	s/mm	3	3
Actuating thrust	kN	2,2	2,2
Stroke	mm	max. 30	max. 30
Power supply	VAC	24 ±10%	230 +6% -10%
Frequency	Hz	50/60 ±5%	50/60 ±5%
Power consumption	VA	max. 18	max. 25
Input signal ³⁾		3-point 0(2)...10 VDC, 77 kΩ 0(4)...20 mA, 0,51 kΩ	3-point 0(2)...10 VDC, 77 kΩ 0(4)...20 mA, 0,51 kΩ
Output signal ³⁾		0...10 VDC max. 8 mA min. 1200 Ω	0...10 VDC max. 8 mA min. 1200 Ω
Hysteresis ⁴⁾	V	0,05 · 0,15 · 0,3 · 0,5	0,05 · 0,15 · 0,3 · 0,5

Ingress protection:
IP54

Resolution:
Electric: 0,04 VDC
Mechanical: 0,05 mm

Ambient temperature:
0 - +60°C

Operation mode:
S3 - 50% ED c/h 1200, EN 60034-1

End position switch-off:
Load-dependent

Actuator variants:

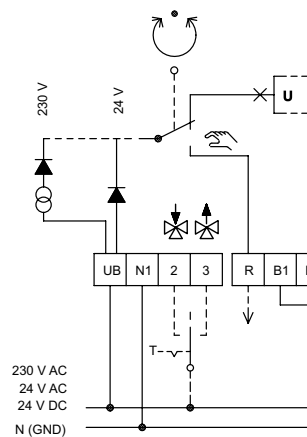
- Voltage: 115 VAC
- Position switch unit:
 - 2 switches (WE1/WE2), potential free, infinitely adjustable.
 - Rated load: 8 A / 250 VAC, 8 A / 30 VDC.
 - Turn-on voltage: max. 400 VAC, max. 125 VDC.
- Enclosure protection: IP 65
- Output signal: X=0(4)...20 mA

See "Actuators" and "Accessories for actuators".

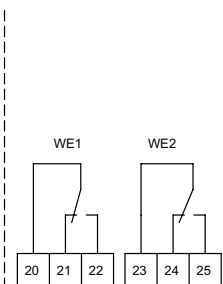
3) Invertible input and output signal
4) Freely adjustable

Wiring diagram:
B1/B2 Connection of a binary signal (e.g. frost safety)

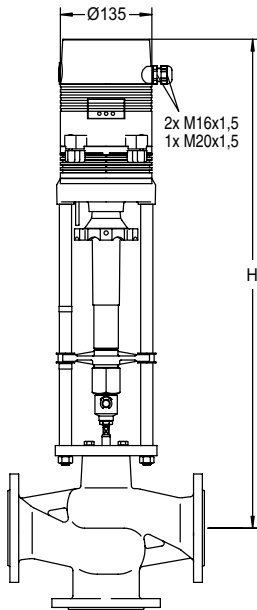
Standard design



Special accessories



Actuator TA-MC400



TA-MC400/24, TA-MC400/230

DN	24/230 V H	Kg *
65	695	9,5
80	705	9,5
100	715	9,5
125-150	855	9,5
200	875	9,5

*) Actuator

Technical description

		TA-MC400/24	TA-MC400/230
Actuating time ¹⁾	s/mm	0,6 · 0,4*	0,6 · 0,4*
Actuating thrust	kN	4,0	4,0
Stroke	mm	max. 60	max. 60
Power supply	VAC	24 ±10%	230 +6% -10%
Frequency	Hz	50/60 ±5%	50/60 ±5%
Power consumption	VA	max. 50	max. 63
Input signal ³⁾		3-point 0(2)...10 VDC, 77 kΩ 0(4)...20 mA, 0,51 kΩ	3-point 0(2)...10 VDC, 77 kΩ 0(4)...20 mA, 0,51 kΩ
Output signal ³⁾		0...10 VDC max. 8 mA min. 1200 Ω	0...10 VDC max. 8 mA min. 1200 Ω
Hysteresis ⁴⁾	V	0,05 · 0,15 · 0,3 · 0,5	0,05 · 0,15 · 0,3 · 0,5

Ingress protection:
IP54

Resolution:
Electric: 0,04 VDC
Mechanical: 0,12 mm

Ambient temperature:
-10 - +60°C

Operation mode:
S3 - 30% ED c/h 1200, EN 60034-1

End position switch-off:
Load-dependent

Actuator variants:

- Voltage: 115 VAC
- Position switch unit:
2 switches (WE1/WE2), potential free, infinitely adjustable.
Rated load: 8 A / 250 VAC, 8 A / 30 VDC.
Turn-on voltage: max. 400 VAC, max. 125 VDC.
- Enclosure protection: IP 65
- Output signal: X=0(4)...20 mA

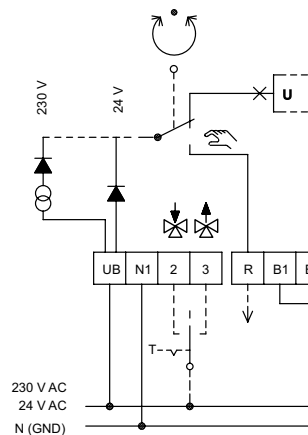
See "Actuators" and "Accessories for actuators".

- 1) Actuating time freely adjustable, presetting is marked with *
- 3) Invertible input and output signal
- 4) Freely adjustable

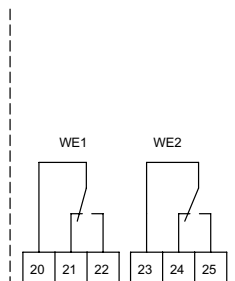
Wiring diagram:

B1/B2 Connection of a binary signal (e.g. frost safety)

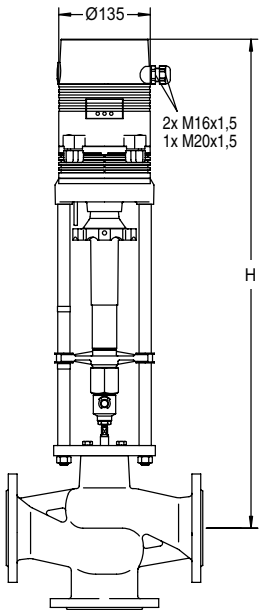
Standard design



Special accessories



Actuator TA-MC500



TA-MC500/24, TA-MC500/230

DN	24/230 V H	24 V Kg *	230 V Kg *
65	645	7,0	8,2
80	655	7,0	8,2
100	665	7,0	8,2
125-150	805	7,0	8,2
200	825	7,0	8,2

*) Actuator

Technical description

		TA-MC500/24	TA-MC500/230
Actuating time ¹⁾	s/mm	5 · 2,5*	5 · 2,5*
Actuating thrust	kN	5	5
Stroke	mm	max. 60	max. 60
Power supply	VAC	24 ±10%	230 +6% -10%
Power supply	VDC	24 ±10%	-
Frequency	Hz	50/60 ±5%	50/60 ±5%
Power consumption	VA	max. 18	max. 25
Input signal ³⁾		3-point 0(2)...10 VDC, 77 kΩ 0(4)...20 mA, 0,51 kΩ	3-point 0(2)...10 VDC, 77 kΩ 0(4)...20 mA, 0,51 kΩ
Output signal ³⁾		0...10 VDC max. 8 mA min. 1200 Ω	0...10 VDC max. 8 mA min. 1200 Ω
Hysteresis ⁴⁾	V	0,05 · 0,15 · 0,3 · 0,5	0,05 · 0,15 · 0,3 · 0,5

Ingress protection:
IP54

Resolution:
Electric: 0,04 VDC
Mechanical: 0,04 mm

Ambient temperature:
-10 - +60°C

Operation mode:
S3 - 50% ED c/h 1200, EN 60034-1

End position switch-off:
Load-dependent

Actuator variants:

- Voltage: 115 VAC
- Position switch unit:
2 switches (WE1/WE2), potential free, infinitely adjustable.
Rated load: 8 A / 250 VAC, 8 A / 30 VDC.
Turn-on voltage: max. 400 VAC, max. 125 VDC.
- Enclosure protection: IP 65
- Output signal: X=0(4)...20 mA

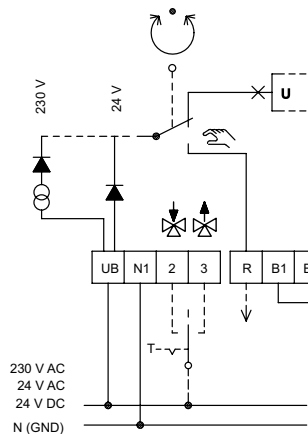
See "Actuators" and "Accessories for actuators".

- 1) Actuating time freely adjustable, presetting is marked with *
- 3) Invertible input and output signal
- 4) Freely adjustable

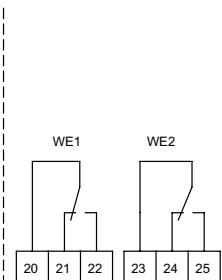
Wiring diagram:

B1/B2 Connection of a binary signal (e.g. frost safety)

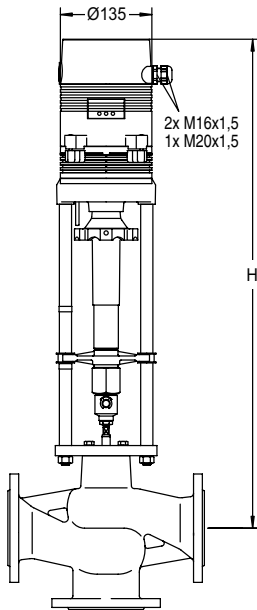
Standard design



Special accessories



Actuator TA-MC1000



TA-MC1000/24, TA-MC1000/230

DN	24/230 V H	Kg *
125 - 150	895	11
200	920	11

*) Actuator

Technical description

		TA-MC1000/24 ⁶⁾	TA-MC1000/230 ⁶⁾
Actuating time	s/mm	1	1
Actuating thrust	kN	10	10
Stroke	mm	max. 60	max. 60
Power supply	VAC	24 ±10%	230 +6% -10%
Frequency	Hz	50/60 ±5%	50/60 ±5%
Power consumption	VA	max. 50	max. 63
Input signal ³⁾		3-point 0(2)...10 VDC, 77 kΩ 0(4)...20 mA, 0,51 kΩ	3-point 0(2)...10 VDC, 77 kΩ 0(4)...20 mA, 0,51 kΩ
Output signal ³⁾		0...10 VDC max. 8 mA min. 1200 Ω	0...10 VDC max. 8 mA min. 1200 Ω
Hysteresis ⁴⁾	V	0,05 · 0,15 · 0,3 · 0,5	0,05 · 0,15 · 0,3 · 0,5

Ingress protection:
IP54

Resolution:
Electric: 0,04 VDC
Mechanical: 0,05 mm

Ambient temperature:
-10 - +60°C

Operation mode:
S3 - 30% ED c/h 1200, EN 60034-1

End position switch-off:
Load-dependent

Actuator variants:

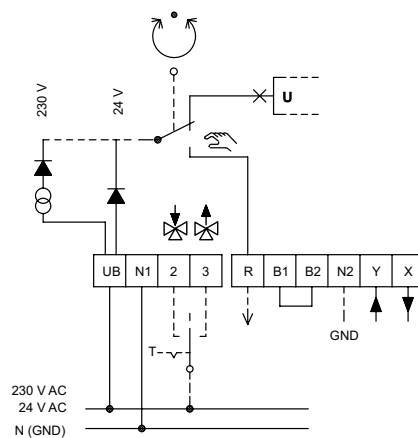
- Voltage: 115 VAC
- Position switch unit:
2 switches (WE1/WE2), potential free, infinitely adjustable.
Rated load: 8 A / 250 VAC, 8 A / 30 VDC.
Turn-on voltage: max. 400 VAC, max. 125 VDC.
- Enclosure protection: IP 65
- Output signal: X=0(4)...20 mA

See "Actuators" and "Accessories for actuators".

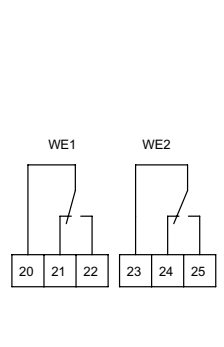
3) Invertible input and output signal
4) Freely adjustable
6) Only for CV216/316 GG

Wiring diagram:
B1/B2 Connection of a binary signal (e.g. frost safety)

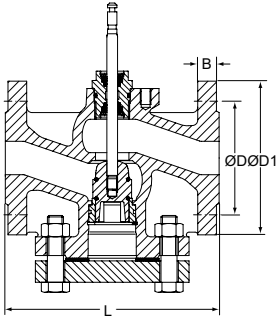
Standard design



Special accessories



CV206 GG



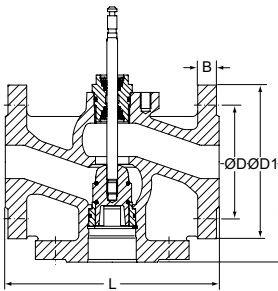
PN 6

DN	D	D1	L	B	No of bolts	Kvs	Kg	EAN	Article No
15	55	80	130	12	4 x Ø11	0,63	2,8	5902276885617	60 215-115
15	55	80	130	12	4 x Ø11	1,25	2,8	5902276885709	60 215-215
15	55	80	130	12	4 x Ø11	1,6	2,8	5902276885792	60 215-315
15	55	80	130	12	4 x Ø11	2,5	2,8	5902276885815	60 215-415
15	55	80	130	12	4 x Ø11	4	2,8	5902276885839	60 215-515
20	65	90	150	14	4 x Ø11	5	3,9	5902276885624	60 215-120
20	65	90	150	14	4 x Ø11	6,3	3,9	5902276885716	60 215-220
25	75	100	160	14	4 x Ø11	8	4,8	5902276885631	60 215-125
25	75	100	160	14	4 x Ø11	10	4,8	5902276885723	60 215-225
32	90	120	180	16	4 x Ø14	12,5	7,1	5902276885648	60 215-132
32	90	120	180	16	4 x Ø14	16	7,1	5902276885730	60 215-232
40	100	130	200	16	4 x Ø14	20	8,8	5902276885655	60 215-140
40	100	130	200	16	4 x Ø14	25	8,8	5902276885747	60 215-240
50	110	140	230	16	4 x Ø14	31,5	10,5	5902276885662	60 215-150
50	110	140	230	16	4 x Ø14	40	10,5	5902276885754	60 215-250
65 ¹⁾	130	160	290	16	4 x Ø14	50	17,9	5902276885679	60 215-165
65 ¹⁾	130	160	290	16	4 x Ø14	63	17,9	5902276885761	60 215-265
65 ²⁾	130	160	290	16	4 x Ø14	50	17,9	5902276885808	60 215-365
65 ²⁾	130	160	290	16	4 x Ø14	63	17,9	5902276885822	60 215-465
80	150	190	310	18	4 x Ø18	80	26,3	5902276885686	60 215-180
80	150	190	310	18	4 x Ø18	100	26,3	5902276885778	60 215-280
100	170	210	350	18	4 x Ø18	125	37,1	5902276885693	60 215-190
100	170	210	350	18	4 x Ø18	160	37,1	5902276885785	60 215-290

1) Stroke 20 mm

2) Stroke 30 mm

CV306 GG



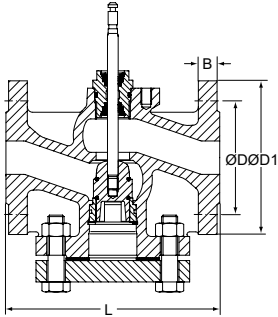
PN 6

DN	D	D1	L	H	B	No of bolts	Kvs	Kg	EAN	Article No
15	55	80	130	65	12	4 x Ø11	0,63	2,2	5902276891168	60 315-115
15	55	80	130	65	12	4 x Ø11	1,25	2,2	5902276891250	60 315-215
15	55	80	130	65	12	4 x Ø11	1,6	2,2	5902276891335	60 315-315
15	55	80	130	65	12	4 x Ø11	2,5	2,2	5902276891359	60 315-415
15	55	80	130	65	12	4 x Ø11	4	2,2	5902276893131	60 315-515
20	65	90	150	70	14	4 x Ø11	5	3,0	5902276891175	60 315-120
20	65	90	150	70	14	4 x Ø11	6,3	3,0	5902276891267	60 315-220
25	75	100	160	75	14	4 x Ø11	8	3,7	5902276891182	60 315-125
25	75	100	160	75	14	4 x Ø11	10	3,7	5902276891274	60 315-225
32	90	120	180	95	16	4 x Ø14	12,5	5,6	5902276891199	60 315-132
32	90	120	180	95	16	4 x Ø14	16	5,6	5902276891281	60 315-232
40	100	130	200	100	16	4 x Ø14	20	7,0	5902276891205	60 315-140
40	100	130	200	100	16	4 x Ø14	25	7,0	5902276891298	60 315-240
50	110	140	230	100	16	4 x Ø14	31,5	8,4	5902276891212	60 315-150
50	110	140	230	100	16	4 x Ø14	40	8,4	5902276891304	60 315-250
65 ¹⁾	130	160	290	120	16	4 x Ø14	50	14,7	5902276891229	60 315-165
65 ¹⁾	130	160	290	120	16	4 x Ø14	63	14,7	5902276889509	60 315-265
65 ²⁾	130	160	290	120	16	4 x Ø14	50	14,7	5902276891342	60 315-365
65 ²⁾	130	160	290	120	16	4 x Ø14	63	14,7	5902276889516	60 315-465
80	150	190	310	130	18	4 x Ø18	80	22,0	5902276891236	60 315-180
80	150	190	310	130	18	4 x Ø18	100	22,0	5902276891311	60 315-280
100	170	210	350	150	18	4 x Ø18	125	31,0	5902276891243	60 315-190
100	170	210	350	150	18	4 x Ø18	160	31,0	5902276891328	60 315-290

1) Stroke 20 mm

2) Stroke 30 mm

CV216 GG



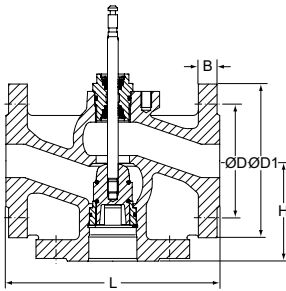
PN 16

DN	D	D1	L	B	No of bolts	Kvs	Kg	EAN	Article No
15	65	95	130	14	4 x Ø14	0,63	4,1	5902276886072	60 235-115
15	65	95	130	14	4 x Ø14	1,25	4,1	5902276886164	60 235-215
15	65	95	130	14	4 x Ø14	1,6	4,1	5902276886256	60 235-315
15	65	95	130	14	4 x Ø14	2,5	4,1	5902276886287	60 235-415
15	65	95	130	14	4 x Ø14	4	4,1	5902276886317	60 235-515
20	75	105	150	16	4 x Ø14	5	5,3	5902276886089	60 235-120
20	75	105	150	16	4 x Ø14	6,3	5,3	5902276886171	60 235-220
25	85	115	160	16	4 x Ø14	8	6,6	5902276886096	60 235-125
25	85	115	160	16	4 x Ø14	10	6,6	5902276886188	60 235-225
32	100	140	180	18	4 x Ø18	12,5	10,0	5902276886102	60 235-132
32	100	140	180	18	4 x Ø18	16	10,0	5902276886195	60 235-232
40	110	150	200	18	4 x Ø18	20	11,8	5902276886119	60 235-140
40	110	150	200	18	4 x Ø18	25	11,8	5902276886201	60 235-240
50	125	165	230	20	4 x Ø18	31,5	15,3	5902276886126	60 235-150
50	125	165	230	20	4 x Ø18	40	15,3	5902276886218	60 235-250
65 ¹⁾	145	185	290	20	4 x Ø18	50	24,8	5902276886133	60 235-165
65 ¹⁾	145	185	290	20	4 x Ø18	63	24,8	5902276886225	60 235-265
65 ²⁾	145	185	290	20	4 x Ø18	50	24,8	5902276886263	60 235-365
65 ²⁾	145	185	290	20	4 x Ø18	63	24,8	5902276886294	60 235-465
80	160	200	310	22	8 x Ø18	80	29,8	5902276886140	60 235-180
80	160	200	310	22	8 x Ø18	100	29,8	5902276886232	60 235-280
100	180	220	350	24	8 x Ø18	125	42,9	5902276886157	60 235-190
100	180	220	350	24	8 x Ø18	160	42,9	5902276886249	60 235-290
125	210	250	400	26	8 x Ø18	250	62,0	5902276886300	60 235-491
150	240	285	480	26	8 x Ø22	315	90,0	5902276886270	60 235-392
200	295	340	600	24	12 x Ø22	500	156	5902276807022	60 235-393

1) Stroke 20 mm

2) Stroke 30 mm

CV316 GG



PN 16

DN	D	D1	L	H	B	No of bolts	Kvs	Kg	EAN	Article No
15	65	95	130	65	14	4 x Ø14	0,63	3,1	5902276890321	60 335-115
15	65	95	130	65	14	4 x Ø14	1,25	3,1	5902276890383	60 335-215
15	65	95	130	65	14	4 x Ø14	1,6	3,1	5902276890468	60 335-315
15	65	95	130	65	14	4 x Ø14	2,5	3,1	5902276890499	60 335-415
15	65	95	130	65	14	4 x Ø14	4	3,1	5902276890529	60 335-515
20	75	105	150	70	16	4 x Ø14	5	4,0	5902276890338	60 335-120
20	75	105	150	70	16	4 x Ø14	6,3	4,0	5902276890390	60 335-220
25	85	115	160	75	16	4 x Ø14	8	5,0	5902276890345	60 335-125
25	85	115	160	75	16	4 x Ø14	10	5,0	5902276890406	60 335-225
32	100	140	180	95	18	4 x Ø18	12,5	7,6	5902276890352	60 335-132
32	100	140	180	95	18	4 x Ø18	16	7,6	5902276890413	60 335-232
40	110	150	200	100	18	4 x Ø18	20	9,1	5902276890369	60 335-140
40	110	150	200	100	18	4 x Ø18	25	9,1	5902276890420	60 335-240
50	125	165	230	100	20	4 x Ø18	31,5	11,6	5902276890376	60 335-150
50	125	165	230	100	20	4 x Ø18	40	11,6	5902276890437	60 335-250
65 ¹⁾	145	185	290	120	20	4 x Ø18	50	20,0	5902276889615	60 335-165
65 ¹⁾	145	185	290	120	20	4 x Ø18	63	20,0	5902276889646	60 335-265
65 ²⁾	145	185	290	120	20	4 x Ø18	50	20,0	5902276890475	60 335-365
65 ²⁾	145	185	290	120	20	4 x Ø18	63	20,0	5902276890505	60 335-465
80	160	200	310	130	22	8 x Ø18	80	24,0	5902276889622	60 335-180
80	160	200	310	130	22	8 x Ø18	100	24,0	5902276890444	60 335-280
100	180	220	350	150	24	8 x Ø18	125	36,0	5902276889639	60 335-190
100	180	220	350	150	24	8 x Ø18	160	36,0	5902276890451	60 335-290
125	210	250	400	160	26	8 x Ø18	250	52,0	5902276890512	60 335-491
150	240	285	480	170	26	8 x Ø22	315	77,0	5902276890482	60 335-392
200	295	340	600	215	24	8 x Ø22	500	136	5902276807039	60 335-393

1) Stroke 20 mm

2) Stroke 30 mm

Actuators

For CV206/306 GG

Type	Power supply	Actuating thrust [kN]	Input signal	For valve	Max. stroke [mm]	EAN	Article No
TA-MC55/24	24 VAC	0,6	3-point	DN 15-50	14	3831112527812	61 055-001
TA-MC55/24	24 VDC *	0,6	3-point	DN 15-50	14	5902276804403	61 055-402
TA-MC55/230	230 VAC	0,6	3-point	DN 15-50	14	3831112506503	61 055-002
TA-MC55/115	115 VAC	0,6	3-point	DN 15-50	14	5902276894329	61 055-302
TA-MC55Y	24 VAC	0,6	0(2)-10 V, 4(0)-20 mA	DN 15-50	14	3831112506510	61 055-003
TA-MC55Y	24 VDC *	0,6	0(2)-10 V, 4(0)-20 mA	DN 15-50	14	5902276898686	61 055-004
TA-MC65/24	24 VAC	0,6	3-point	DN 65	20	5902276894336	61 065-001
TA-MC65/24	24 VDC *	0,6	3-point	DN 65	20		61 065-402
TA-MC65/230	230 VAC	0,6	3-point	DN 65	20	5902276894343	61 065-002
TA-MC65/115	115 VAC	0,6	3-point	DN 65	20		61 065-302
TA-MC65Y	24 VAC	0,6	0(2)-10 V, 4(0)-20 mA	DN 65	20	5902276889752	61 065-003
TA-MC100/24	24 VAC	1,0	3-point, 0(2)-10 V, 4(0)-20 mA	DN 15-65	20	3831112511675	61 100-001
TA-MC100/24	24 VDC *	1,0	3-point, 0(2)-10 V, 4(0)-20 mA	DN 15-65	20	5902276804427	61 100-003
TA-MC100/230	230 VAC	1,0	3-point, 0(2)-10 V, 4(0)-20 mA	DN 15-65	20	3831112500235	61 100-002
TA-MC100/115	115 VAC	1,0	3-point, 0(2)-10 V, 4(0)-20 mA	DN 15-65	20	5902276894350	61 100-302
TA-MC160/24	24 VAC	1,6	3-point, 0(2)-10 V, 4(0)-20 mA	DN 65-100	30	3831112512160	61 160-001
TA-MC160/24	24 VDC *	1,1	3-point, 0(2)-10 V, 4(0)-20 mA	DN 65-100	30	5902276804441	61 160-402
TA-MC160/230	230 VAC	1,6	3-point, 0(2)-10 V, 4(0)-20 mA	DN 65-100	30	3831112527829	61 160-002
TA-MC160/115	115 VAC	1,6	3-point, 0(2)-10 V, 4(0)-20 mA	DN 65-100	30	5902276804434	61 160-302
TA-MC161/24	24 VAC	1,6	3-point, 0(2)-10 V, 4(0)-20 mA	DN 32-65	20	5902276894367	61 161-001
TA-MC161/24	24 VDC *	1,1	3-point, 0(2)-10 V, 4(0)-20 mA	DN 32-65	20	5902276804458	61 161-402
TA-MC161/230	230 VAC	1,6	3-point, 0(2)-10 V, 4(0)-20 mA	DN 32-65	20	5902276894374	61 161-002
TA-MC161/115	115 VAC	1,6	3-point, 0(2)-10 V, 4(0)-20 mA	DN 32-65	20		61 161-302
TA-MC220/24	24 VAC	2,2	3-point, 0(2)-10 V, 4(0)-20 mA	DN 65-100	30	5902276818257	61 220-001
TA-MC220/230	230 VAC	2,2	3-point, 0(2)-10 V, 4(0)-20 mA	DN 65-100	30	5902276818264	61 220-002
TA-MC220/115	115 VAC	2,2	3-point, 0(2)-10 V, 4(0)-20 mA	DN 65-100	30	5902276818271	61 250-302
TA-MC400/24	24 VAC	4,0	3-point, 0(2)-10 V, 4(0)-20 mA	DN 65-100	30	5902276894428	61 400-001
TA-MC400/230	230 VAC	4,0	3-point, 0(2)-10 V, 4(0)-20 mA	DN 65-100	30	5902276894435	61 400-002
TA-MC400/115	115 VAC	4,0	3-point, 0(2)-10 V, 4(0)-20 mA	DN 65-100	30		61 400-302
TA-MC500/24	24 VAC	5,0	3-point, 0(2)-10 V, 4(0)-20 mA	DN 65-100	30	5902276894442	61 500-001
TA-MC500/24	24 VDC *	5,0	3-point, 0(2)-10 V, 4(0)-20 mA	DN 65-100	30	5902276806063	61 500-402
TA-MC500/230	230 VAC	5,0	3-point, 0(2)-10 V, 4(0)-20 mA	DN 65-100	30	5902276894459	61 500-002
TA-MC500/115	115 VAC	5,0	3-point, 0(2)-10 V, 4(0)-20 mA	DN 65-100	30		61 500-302

*) DC – Direct current flat voltage.

For CV216/316 GG

Type	Power supply	Actuating thrust [kN]	Input signal	For valve	Max. stroke [mm]	EAN	Article No
TA-MC55/24	24 VAC	0,6	3-point	DN 15-50	14	3831112527812	61 055-001
TA-MC55/24	24 VDC *	0,6	3-point	DN 15-50	14	5902276804403	61 055-402
TA-MC55/230	230 VAC	0,6	3-point	DN 15-50	14	3831112506503	61 055-002
TA-MC55/115	115 VAC	0,6	3-point	DN 15-50	14	5902276894329	61 055-302
TA-MC55Y	24 VAC	0,6	0(2)-10 V, 4(0)-20 mA	DN 15-50	14	3831112506510	61 055-003
TA-MC55Y	24 VDC *	0,6	0(2)-10 V, 4(0)-20 mA	DN 15-50	14	5902276898686	61 055-004
TA-MC65/24	24 VAC	0,6	3-point	DN 65	20	5902276894336	61 065-001
TA-MC65/24	24 VDC *	0,6	3-point	DN 65	20		61 065-402
TA-MC65/230	230 VAC	0,6	3-point	DN 65	20	5902276894343	61 065-002
TA-MC65/115	115 VAC	0,6	3-point	DN 65	20		61 065-302
TA-MC65Y	24 VAC	0,6	0(2)-10 V, 4(0)-20 mA	DN 65	20	5902276889752	61 065-003
TA-MC100/24	24 VAC	1,0	3-point, 0(2)-10 V, 4(0)-20 mA	DN 15-65	20	3831112511675	61 100-001
TA-MC100/24	24 VDC *	1,0	3-point, 0(2)-10 V, 4(0)-20 mA	DN 15-65	20	5902276804427	61 100-003
TA-MC100/230	230 VAC	1,0	3-point, 0(2)-10 V, 4(0)-20 mA	DN 15-65	20	3831112500235	61 100-002
TA-MC100/115	115 VAC	1,0	3-point, 0(2)-10 V, 4(0)-20 mA	DN 15-65	20	5902276894350	61 100-302
TA-MC160/24	24 VAC	1,6	3-point, 0(2)-10 V, 4(0)-20 mA	DN 65-100	30	3831112512160	61 160-001
TA-MC160/24	24 VDC *	1,1	3-point, 0(2)-10 V, 4(0)-20 mA	DN 65-100	30	5902276804441	61 160-402
TA-MC160/230	230 VAC	1,6	3-point, 0(2)-10 V, 4(0)-20 mA	DN 65-100	30	3831112527829	61 160-002
TA-MC160/115	115 VAC	1,6	3-point, 0(2)-10 V, 4(0)-20 mA	DN 65-100	30	5902276804434	61 160-302
TA-MC161/24	24 VAC	1,6	3-point, 0(2)-10 V, 4(0)-20 mA	DN 32-65	20	5902276894367	61 161-001
TA-MC161/24	24 VDC *	1,1	3-point, 0(2)-10 V, 4(0)-20 mA	DN 32-65	20	5902276804458	61 161-402
TA-MC161/230	230 VAC	1,6	3-point, 0(2)-10 V, 4(0)-20 mA	DN 32-65	20	5902276894374	61 161-002
TA-MC161/115	115 VAC	1,6	3-point, 0(2)-10 V, 4(0)-20 mA	DN 32-65	20		61 161-302
TA-MC220/24	24 VAC	2,2	3-point, 0(2)-10 V, 4(0)-20 mA	DN 65-100	30	5902276818257	61 220-001
TA-MC220/230	230 VAC	2,2	3-point, 0(2)-10 V, 4(0)-20 mA	DN 65-100	30	5902276818264	61 220-002
TA-MC220/115	115 VAC	2,2	3-point, 0(2)-10 V, 4(0)-20 mA	DN 65-100	30	5902276818271	61 220-302
TA-MC400/24	24 VAC	4,0	3-point, 0(2)-10 V, 4(0)-20 mA	DN 65-100	30	5902276894428	61 400-001
TA-MC400/230	230 VAC	4,0	3-point, 0(2)-10 V, 4(0)-20 mA	DN 65-100	30	5902276894435	61 400-002
TA-MC400/115	115 VAC	4,0	3-point, 0(2)-10 V, 4(0)-20 mA	DN 65-100	30		61 400-302
TA-MC400/24	24 VAC	4,0	3-point, 0(2)-10 V, 4(0)-20 mA	DN 125-200 **	60	5901688826379	61 400-011
TA-MC400/230	230 VAC	4,0	3-point, 0(2)-10 V, 4(0)-20 mA	DN 125-200 **	60	5901688826386	61 400-012
TA-MC400/115	115 VAC	4,0	3-point, 0(2)-10 V, 4(0)-20 mA	DN 125-200 **	60		61 400-312
TA-MC500/24	24 VAC	5,0	3-point, 0(2)-10 V, 4(0)-20 mA	DN 65-100	30	5902276894442	61 500-001
TA-MC500/24	24 VDC *	5,0	3-point, 0(2)-10 V, 4(0)-20 mA	DN 65-100	30	5902276806063	61 500-402
TA-MC500/230	230 VAC	5,0	3-point, 0(2)-10 V, 4(0)-20 mA	DN 65-100	30	5902276894459	61 500-002
TA-MC500/115	115 VAC	5,0	3-point, 0(2)-10 V, 4(0)-20 mA	DN 65-100	30		61 500-302
TA-MC500/24	24 VAC	5,0	3-point, 0(2)-10 V, 4(0)-20 mA	DN 125-200	60	5902276894466	61 500-011
TA-MC500/24	24 VDC *	5,0	3-point, 0(2)-10 V, 4(0)-20 mA	DN 125-200	60		61 500-412
TA-MC500/230	230 VAC	5,0	3-point, 0(2)-10 V, 4(0)-20 mA	DN 125-200	60	5902276894473	61 500-012
TA-MC500/115	115 VAC	5,0	3-point, 0(2)-10 V, 4(0)-20 mA	DN 125-200	60		61 500-312
TA-MC1000/24	24 VAC	10,0	3-point, 0(2)-10 V, 4(0)-20 mA	DN 125-200	60	5902276894282	61 000-001
TA-MC1000/230	230 VAC	10,0	3-point, 0(2)-10 V, 4(0)-20 mA	DN 125-200	60	5902276894299	61 000-002
TA-MC1000/115	115 VAC	10,0	3-point, 0(2)-10 V, 4(0)-20 mA	DN 125-200	60		61 000-301

*) DC – Direct current flat voltage.

**) DN 200 for 2-way valves only.

Accessories for actuators

ACA71, ACA72, ACA76

NOTE!

- ACA72 must be ordered together with the actuator.
- TA-MC100, TA-MC160, TA-MC161: Position switch unit (ACA71) and output signal 0(4)...20 mA (ACA76) not in combination.

Type	For actuator	EAN	Article No
ACA71 Position switch (2 switches)	TA-MC100, TA-MC160, TA-MC161, TA-MC220	5902276811166	67 071-100XA
ACA72 Enclosure class IP65	TA-MC100, TA-MC160, TA-MC161, TA-MC220	5902276818325	67 072-100XA
ACA76 Output signal 0(4)-20 mA	TA-MC100, TA-MC160, TA-MC161, TA-MC220	5902276811173	67 076-100XA
ACA71 Position switch (2 switches)	TA-MC400, TA-MC500, TA-MC1000	5902276811180	67 071-250XA
ACA72 Enclosure class IP65	TA-MC400, TA-MC500, TA-MC1000	5902276817885	67 072-250XA
ACA76 Output signal 0(4)-20 mA	TA-MC400, TA-MC500, TA-MC1000	5902276811197	67 076-250XA

For actuator accessories, please add "SO" (special order) after the article number of the actuator, and include the article number for the type of accessory.

Accessories for actuators not suitable for TA-MC55.

Example: 61 10-001SO + 67 071-100XA

Accessories for valves

ACV13 Stem heater

Stem heater for water-glycol mixtures.

Min. temperature: -10°C

Power supply: 24 VAC ±10%, 50/60 Hz ±5%.

Power consumption:

DN 15-100: $P_{max} \sim 30$ VA, $P_N \sim 30$ VA

DN 125-200: $P_{max} \sim 250$ VA, $P_N \sim 45$ VA

For DN	EAN	Article No
15-100	3831112512108	68 013-015
125	5902276807411	68 013-091
150-200	5902276819636	68 013-092

Valve variants

For valve variant, please add "SO" after the article number of the valve, and include the article number of the variant.

Example: 60 215-115SO + 68 012-015XV

ACV12 Plug made from CrNi-steel 1.4305

NOTE! Must be ordered together with the valve.

For DN	Article No
15	68 012-015XV
20	68 012-020XV
25	68 012-025XV
32	68 012-032XV
40	68 012-040XV
50	68 012-050XV
65	68 012-065XV
80	68 012-080XV
100	68 012-090XV

Plug made from CrNi-steel 1.4305 is standard for DN 125-200.

ACV14 Epoxy resin varnish, max. 80°C, corrosion prevention**NOTE!** Must be ordered together with the valve.

For DN	Article No
15	68 014-015XV
20	68 014-020XV
25	68 014-025XV
32	68 014-032XV
40	68 014-040XV
50	68 014-050XV
65	68 014-065XV
80	68 014-080XV
100	68 014-090XV
125	68 014-091XV
150	68 014-092XV
200	68 014-093XV

ACV15 O-rings made of FKM**NOTE!** Must be ordered together with the valve.

For DN	Article No
15	68 015-015XV
20	68 015-020XV
25	68 015-025XV
32	68 015-032XV
40	68 015-040XV
50	68 015-050XV
65	68 015-065XV
80	68 015-080XV
100	68 015-090XV

O-rings made of FKM not available for DN 125-200.

ACV16 Technical silicon free version, max. 150°C**NOTE!** Must be ordered together with the valve.

For DN	Article No
15	68 016-015XV
20	68 016-020XV
25	68 016-025XV
32	68 016-032XV
40	68 016-040XV
50	68 016-050XV
65	68 016-065XV
80	68 016-080XV
100	68 016-090XV
125	68 016-091XV
150	68 016-092XV
200	68 016-093XV



The products, texts, photographs, graphics and diagrams in this document may be subject to alteration by IMI without prior notice or reasons being given. For the most up to date information about our products and specifications, please visit climatecontrol.imiplc.com.