

Room thermostat

with fan switch for fan-coils

– Cooling or heating



Thermostats

For cooling or heating operation,
with on/off control

*Engineering
GREAT Solutions*

Room thermostat

with fan switch for fan-coils

– Cooling or heating

Electromechanical room thermostat (bimetal) 230 V / 3 (3) A with on/off control. With “Heat – Off - Cool” main switch and 3-stage fan switch “Slow – Medium – Fast”.



Key features

- > Optimised for fan-coil operation
- > For connection to thermal on/off actuator NC type, e.g. EMO T or EMOtec
- > Printing with company specific logos on request

Technical description

Applications:

For on/off control.

Operating mode:

Cooling or heating

Function, switch:

Heat – Off - Cool, 3-stage fan Slow – Medium – Fast

Supply voltage:

230 V AC (+10%/-15%)
Frequency: 50/60 Hz

Switch contact:

1 change-over contact
Voltage: max. 250 V AC
Current: max. 3 (3) A

Switching hysteresis:

Approx. 0,5 K

Temperature range:

5 - 30 °C (with range restriction)

Ambient temperatur:

0 - +30 °C

Storage temperature:

-20 - +60 °C

Enclosure/protection class:

IP 30, II (with appropriate mounting)

CE-certification:

(EMC and low voltage)
EN 55014:1993 and EN 60730-1:1996

Body, colour:

ABS, white similar to RAL 9010

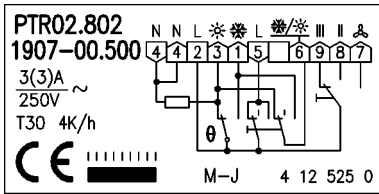
Connection:

1 x 2,5 mm² or 2 x 1,5 mm²

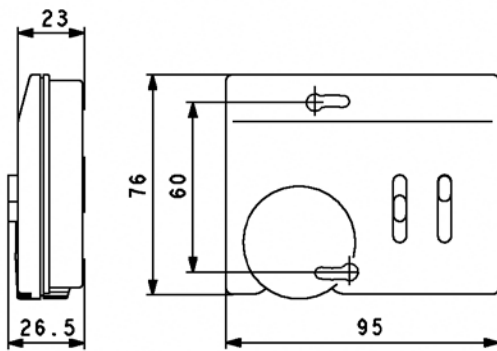
Mounting:

Wall fastening or flush-mount box

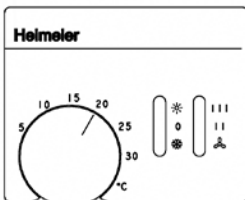
Connection diagram



Dimensions



Articles



With fan switch. For cooling or heating

Model
230 V

Article No.
1907-00.500

