

Room thermostat

for fan-coils – Cooling



Thermostats

For cooling operation, with on/off control

*Engineering
GREAT Solutions*

Room thermostat

for fan-coils – Cooling

Electromechanical room thermostat (bimetal) 230 V / 3 (3) A with on/off control. With “On – Off” main switch and fan output.

Key features

- > Optimised for fan-coil operation
- > For connection to thermal on/off actuator NC type, e.g. EMO T or EMOtec
- > Printing with company specific logos on request



Technical description

Applications:

For on/off control.

Operating mode:

Cooling

Function, switch:

On - Off

Supply voltage:

230 V AC (+10%/-15%)
Frequency: 50/60 Hz

Switch contact:

1 NO contact
Voltage: max. 250 V AC
Current: max. 3 (3) A

Switching hysteresis:

Approx. 0,5 K

Temperature range:

5 - 30 °C (with range restriction)

Ambient temperatur:

0 - +30 °C

Storage temperature:

-20 - +60 °C

Enclosure/protection class:

IP 30, II (with appropriate mounting)

CE-certification:

(EMC and low voltage)
EN 55014:1993 and EN 60730-1:1996

Body, colour:

ABS, white similar to RAL 9010

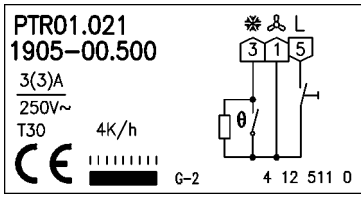
Connection:

1 x 2,5 mm² or 2 x 1,5 mm²

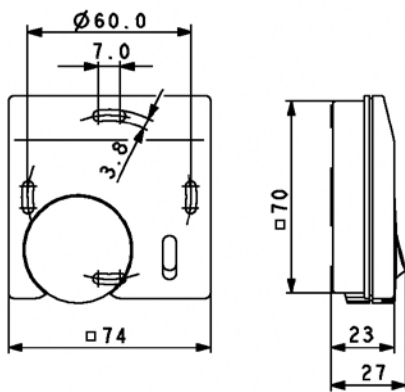
Mounting:

Wall fastening or flush-mount box

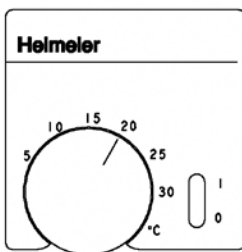
Connection diagram



Dimensions



Articles



For cooling

Model

230 V

Article No

1905-00.500

