

Room thermostat

0-10 V with fan switch for fan-coils

– Cooling or heating



Thermostats

For cooling or heating operation.
With continuously variable control
0-10 V.



Engineering
GREAT Solutions

Room thermostat

0-10 V with fan switch for fan-coils

– Cooling or heating

Electronic room thermostat for supply voltage 24 V with continuously variable control 0 - 10 V and built-in sensor. With “On – Off” main switch, operating mode switch “Cool – Heat” and 3-stage fan switch “Slow – Medium – Fast”.



Key features

- > Optimised for fan-coil operation
- > For connection to motorized proportional actuator, e.g. EMO 1 or EMO TM
- > Printing with company specific logos on request

Technical description

Applications:

For modulating control (proportional controller)
 Proportional band H/C: +7 K (settable +1 K to +11 K)
 Neutral zone: 0 K (settable -1 K to +5 K)

Operating mode:

Cooling or heating

Function, switch:

On – Off, Cool – Heat, 3-stage fan Slow – Medium – Fast

Supply voltage:

24 V AC/DC (+10%/-15%)
 Frequency: 0/50/60 Hz

Output voltage:

0 V - 10 V DC (reversible), max. 5 mA.
 (EMO 1 connection: max. 10 pieces)

Power consumption:

Approx. 1,5 VA

Switch contact:

Voltage: max. 250 V AC
 Current: max. 6 (2) A

Temperature range:

5 - 30 °C (with range restriction)

Ambient temperatur:

0 - +55 °C

Storage temperature:

-20 - +70 °C

Enclosure/protection class:

IP 30, II (with appropriate mounting)

CE-certification:

(EMC and low voltage)
 EN 50081-1, EN 50082-1, EN 60730-1

Body, colour:

ABS, white similar to RAL 9010

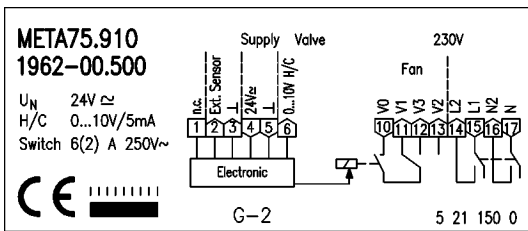
Connection:

1 x 2,5 mm² or 2 x 1,5 mm²

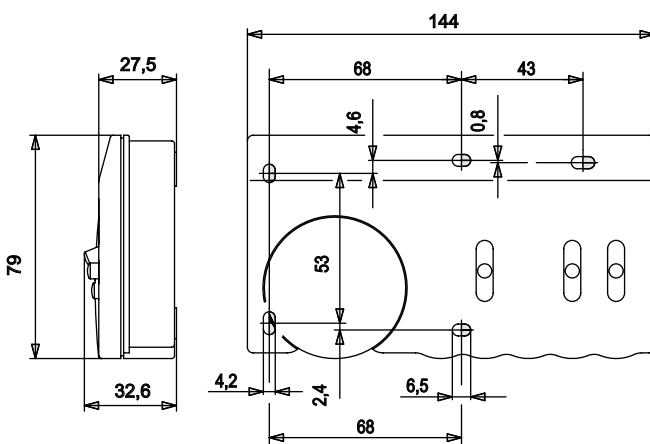
Mounting:

Wall fastening or flush-mount box

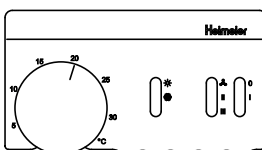
Connection diagram



Dimensions



Articles



With continuously variable control action 0-10 V and built-in sensor. For cooling or heating

Model
24 V

Article No.
1962-00.500

